

Manual Brass Ball Valve with Limit Switchbox



- Brass Nickel Plated Body
- WRAS Approved
- Sizes from 1/4" - 2" BSP
- Full Bore
- PTFE seats
- Switches in Open and Closed Position
- Lever Operated

Description

A brass nickel plated full bore screwed BSP ball valve, that's perfectly suited for on/off manual operation, with the additional feature of being equipped with VO210 Limit Switchbox IP67 – SPDT 250V – 16A. The valve is operated via a lockable steel insulated handle which is linked to the switchbox. Open and closed optical indication is given on the beacon dome top. The valve is rated PN40 and has an ISO 5211 Top for direct mounting of switchbox or actuator. PTFE seats and hardened chrome ball enables temperatures up to 90°C (see temperature chart).

Typical Applications For Use with actuators for Isolation of industrial and domestic process. Heating, Hot water, Cold water, oil and air pipe systems

This valve is a WRAS approved product for use with potable water.



Description

A screwed BSP manual full bore ball valve manufactured in brass, having PTFE seats and seals. Ideal for On/Off operation and fitted with the benefit of a limit switchbox with electrical SPDT V3 switches and Optical position indicator. All housed in a IP67 weatherproof housing. Valve Details see BV5070 and Switchbox VO210. PN40 rated 1/2" - 2" -20°C to 90°C . WRAS Approved.



Beschreibung

Ein geschraubter BSP-Kugelhahn mit vollem Durchgang, hergestellt aus Messing, mit PTFE-Sitzen und -Dichtungen. Ideal für Ein / Aus-Betrieb und ausgestattet mit einer Endschalterbox mit elektrischen SPDT V3-Schaltern und optischer Positionsanzeige. Alle in einem wetterfesten IP67-Gehäuse untergebracht. Ventildetails siehe BV5070 und Switchbox VO210. PN40 für 1/2" - 2" -20 ° C bis 90 ° C. WRAS-Zulassung.



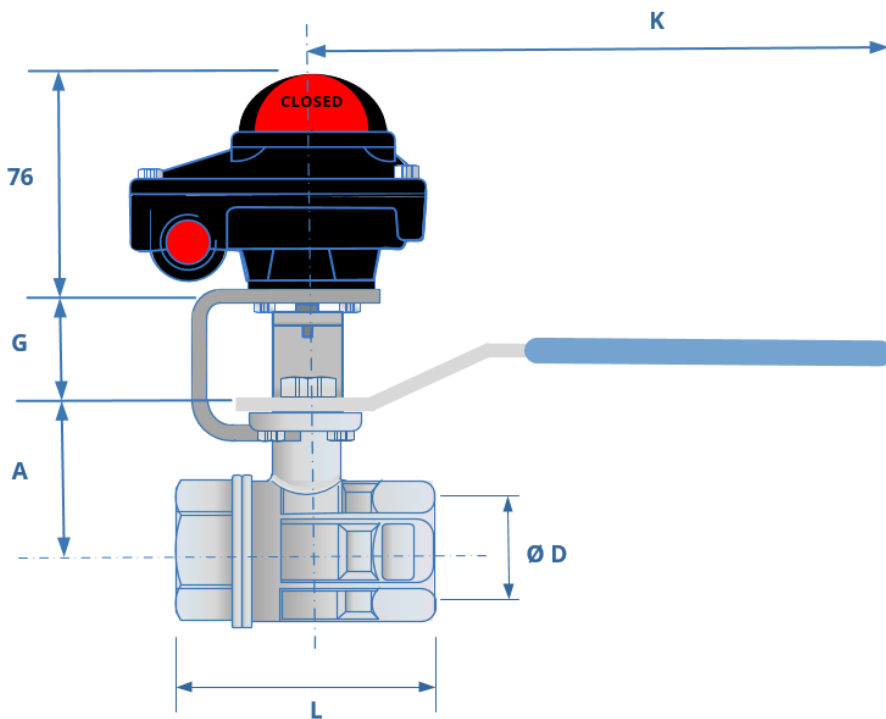
Descripción

Una válvula de bola de paso completo manual rosca BSP fabricada en latón, con asientos y sellos de PTFE. Ideal para la operación de encendido / apagado y equipado con la ventaja de una caja de interruptores de límite con interruptores eléctricos SPDT V3 e indicador óptico de posición. Todo alojado en una carcasa resistente a la intemperie IP67. Detalles de la válvula, ver BV5070 y Switchbox VO210. PN40 clasificado 1/2" - 2" -20 ° C a 90 ° C. Aprobado por WRAS.



Description

Un robinet à boisseau sphérique manuel BSP vissé en laiton, avec des sièges et des joints en PTFE. Idéal pour un fonctionnement tout ou rien et équipé d'un coffret de fin de course avec interrupteurs électriques SPDT V3 et indicateur de position optique. Le tout logé dans un boîtier étanche IP67. Détails des vannes voir BV5070 et Switchbox VO210. PN40 classé 1/2" - 2" -20 ° C à 90 ° C. Approuvé WRAS.



VALVE

- Brass Nickel Plated Body
- WRAS Approved
- Sizes from 1/4" - 2" BSP
- Full Bore
- PTFE seats
- Switches in Open and Closed Position
- Lever Operated

SWITCHBOX

- Die Cast Aluminium enclosure
- IP67 Enclosure
- Polyester powder coating (black) finish
- Stainless steel Namur shaft
- 2x M20 cable entries
- 2x SPDT mechanical limit switches
- Voltage/Amps 240V AC/16A, 125V AC/16A, 250VDC/0.3A, 125VDC/0.6A and 30VDC/10A
- Captive cover bolts
- -20°C to + 80°C Ambient temperature

Dimensions

Size	A	G	K	ØD	L
1/2"	37	30/50	130	15	59
3/4"	40	30/50	130	20	69
1"	48	30/50	155	25	83
1 1/4"	53.5	30/50	155	32	94
1 1/2"	63.5	30/50	205	38	102
2"	72	30/50	205	50	124

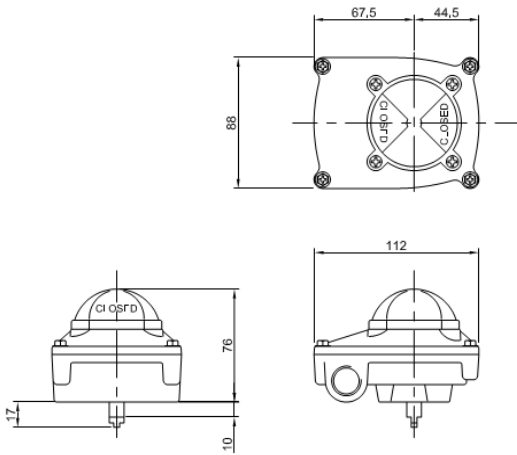
Dimensions shown are for guidance only

Technical details 1/4" - 2"

Body material	Brass nickel plated
Ball	Brass chrome plated
Seat	PTFE
Stem	Brass
Bore	Full
O Ring	Viton 1/4" - 2"
Pressure range	1/4" - 2" PN40
Temperature range	1/4" - 2" minus 20°C - + 95°C
Movement	90 Degree
Connection	Screwed BSPP
ISO Top	ISO 5211 for direct mount
Approvals	CE, WRAS

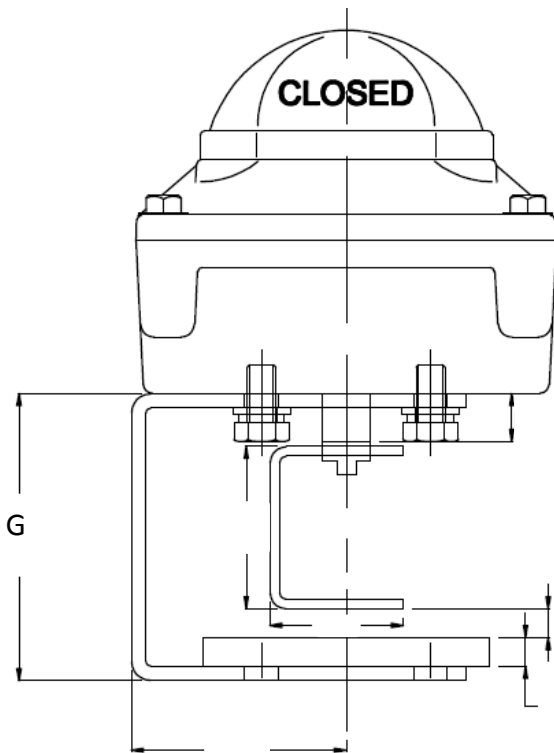
Torque and Flow Rates

DN	Starting Torque Nm	Working Torque Nm	Flow Rates KV
1/2"	4.2	0.5	16.3
3/4"	4.8	0.8	29.5
1"	5.5	1.2	43
1 1/4"	11.5	2.5	89
1 1/2"	18	4	230
2"	22	5	265



SPECIFICATION

- Die Cast Aluminium enclosure
- IP67 Enclosure
- Polyester powder coating (black) finish
- Stainless steel Namur shaft
- 2x M20 cable entries
- 2x SPDT mechanical limit switches
- Voltage/Amps 240V AC/16A, 125V AC/16A, 250VDC/0.3A, 125VDC/0.6A and 30VDC/10A
- Captive cover bolts
- -20°C to + 80°C Ambient temperature



OPTIONS
Atex approved EXD
Proximity sensors

