

Manual Ball Valve with Limit Switchbox



- A351 CFM Ball Valve
- Fully Maintainable
- Sizes from ¼" - 4"
- Full Bore
- TFM 1600 seats
- Switches in Open and Closed Position
- Various End Connections

Description

A stainless steel full bore screwed BSP ball valve, that's fully maintainable and perfectly suited for on/off manual operation, with the additional feature of being equipped with VO210 Limit Switchbox IP67 – SPDT 250V – 16A. The valve is operated via a lockable steel insulated handle which is linked to the switchbox. Open and closed optical indication is given on the beacon dome top. The valve is suitable for 1000-800 PSI pressure and has TFM 1600 seats for higher temperatures 185°C @10 Bar (see temperature chart). Other seat materials and end connections are available.



Description

A 3 piece manual full bore ball valve manufactured in stainless steel, having PTFE seats and seals. Ideal for On/Off operation and fitted with the benefit of a limit switchbox with electrical SPDT V3 switches and Optical position indicator. All housed in a IP67 weatherproof housing. Valve Details see BV5508 and Switchbox VO210. Various end connections include. BSP, NPT, Socket weld, Butt weld SCHD 40.



Beschreibung

Ein 3-teiliger manueller Vollbohrungs-Kugelhahn aus Edelstahl mit PTFE-Sitzen und -Dichtungen. Ideal für den Ein / Aus-Betrieb und ausgestattet mit einer Endschalterbox mit elektrischen SPDT V3-Schaltern und optischer Positionsanzeige. Alle in einem wetterfesten IP67-Gehäuse untergebracht. Ventildetails siehe BV5508 und Switchbox VO210. Verschiedene Endanschlüsse umfassen. BSP, NPT, Muffenschweißen, Stumpfschweißen SCHD 40.



Descripción

Una válvula de bola manual de diámetro completo de 3 piezas fabricada en acero inoxidable, con asientos y sellos de PTFE. Ideal para la operación de encendido / apagado y equipado con la ventaja de una caja de interruptores de límite con interruptores eléctricos SPDT V3 e indicador óptico de posición. Todo alojado en una carcasa resistente a la intemperie IP67. Detalles de la válvula, ver BV5508 y Switchbox VO210. Varias conexiones finales incluyen. BSP, NPT, soldadura por encastre, soldadura a tope SCHD 40.

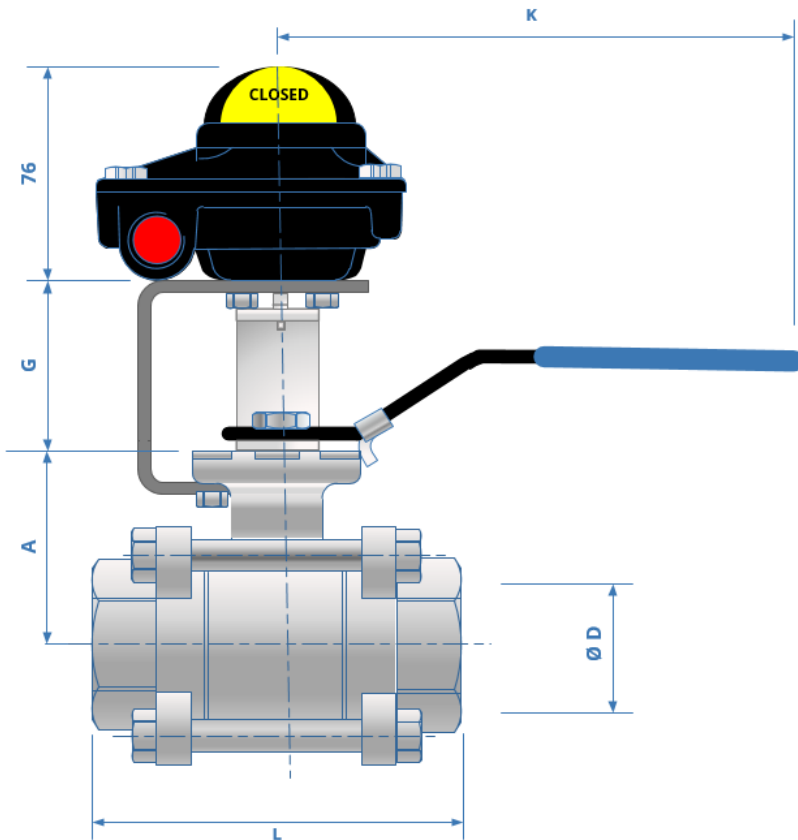


Description

Un robinet à boisseau sphérique à passage intégral manuel 3 pièces fabriqué en acier inoxydable, avec des sièges et des joints en PTFE. Idéal pour un fonctionnement tout ou rien et équipé d'un coffret de fin de course avec interrupteurs électriques SPDT V3 et indicateur de position optique. Le tout logé dans un boîtier étanche IP67. Détails des vannes voir BV5508 et Switchbox VO210. Diverses connexions d'extrémité comprennent. BSP, NPT, Soudure à emboîtement, Soudure bout à bout SCHD 40.

Valve Options

End Connections	Seat Material
BSP	PTFE TFM1600 TFM4215
NPT	
Socket Weld#40	
Butt Weld #40	
Butt Weld #10	
Butt Weld DIN11850	



VALVE

- Full Bore
- A351 CFM Stainless Steel Body
- TFM 1600 Seats
- BSP End Connections
- ¼" - 4"
- Up to 1000 PSI (68 Bar) to 800 PSI
- High Performance Design

SWITCHBOX

- Die Cast Aluminium enclosure
- IP67 Enclosure
- Polyester powder coating (black) finish
- Stainless steel Namur shaft
- 2x M20 cable entries
- 2x SPDT mechanical limit switches
- Voltage/Amps 240V AC/16A, 125V AC/16A, 250VDC/0.3A, 125VDC/0.6A and 30VDC/10A
- Captive cover bolts
- -20°C to + 80°C Ambient temperature

Dimensions

Size	A	G	K	ØD	d1	d2	L
1/4"	37	30/50	0	11	6	6	60.5
3/8"	37	30/50	130	12.5	6	6	60.5
1/2"	37	30/50	130	15	6	6	63.5
3/4"	40	30/50	130	20	6	6	75.5
1"	48	30/50	155	25	6	7	86
1 1/4"	53.5	30/50	155	32	6	7	96
1 1/2"	63.5	30/50	205	38	7	9	111
2"	72	30/50	205	50	7	9	129
2 1/2"	92	TBA	290	65	9	11.3	152.5
3"	102	TBA	290	80	9	11.3	168.5
4"	132	TBA	335	100	11.3	13.5	212.5

The unique three piece construction makes it possible to inspect or repair this ball valve very easily. The body can be removed from the pipe section, complete with ball and sealing rings in-situ and refitting of seals can be achieved without removing the connection pieces from the pipe.

Design Advantages

ISO 5211 direct mounting pad

Blow - out proof stem

Prevents stem blowing out for maximum safety.

Easy in line maintenance

3 piece body swing out design, allowing easy maintenance.

Repair Kits Readily Available

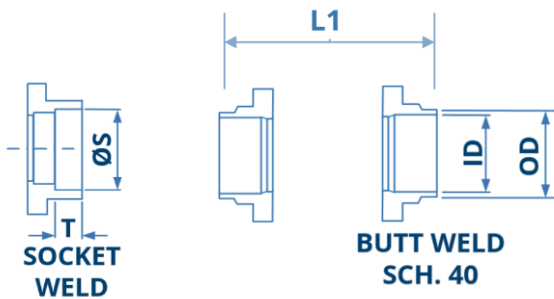
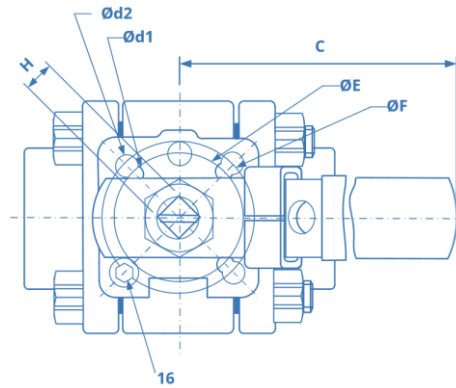
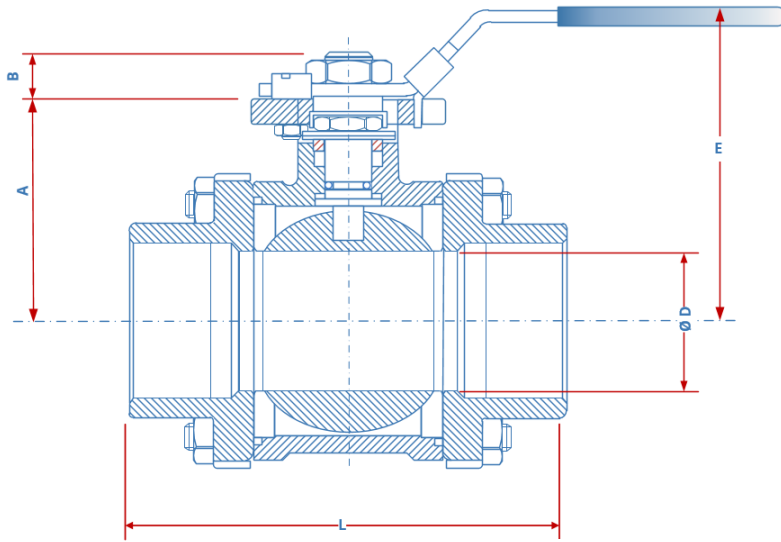
Options

V Ball for control

Switch fitted for feedback of open and closed position

Spring Return Handle (Dead mans Handle)

Other end connections available



MAX. OPERATING PRESSURE	
BODY RATING NON SHOCK	
1/4" - 2"	UP TO 1000 PSI
2 1/2" - 4"	UP TO 800 PSI

Dimensions															
Size	A	B	C	ØD	d1	d2	E	F	H	L	SW		BW(40#)		
											S	T	OD	ID	L1
1/4"	37	11	130	11	6	6	58	36	9	60.5	14.2	11.1	17	10	60.5
3/8"	37	11	130	12.5	6	6	58	36	9	60.5	17.5	11.1	19	13.1	60.5
1/2"	37	11	130	15	6	6	58	36	9	63.5	21.8	12.7	21.5	15.5	63.5
3/4"	40	11	130	20	6	6	64	36	9	75.5	27.1	14.3	27.5	20.6	75.5
1"	48	14	155	25	6	7	77	42	11	86	33.8	15.9	34.5	26.7	86
1 1/4"	53.5	14	155	32	6	7	83	42	11	96	42.5	17.5	42.8	35.1	104
1 1/2"	63.5	18	205	38	7	9	92	50	14	111	48.7	19.1	49	40.5	117
2"	72	18	205	50	7	9	100	50	14	129	61.1	22.2	61	52.4	138
2 1/2"	92	22	290	65	9	11.3	140	70	7	152.5	73.9	22.2	77	65	170
3"	102	22	290	80	9	11.3	150	70	17	168.5	89.9	25.4	91	80	192
4"	132	26	335	100	11.3	13.5	195	102	22	212.5	115.2	32	115	100	226

The unique three piece construction makes it possible to inspect or repair this ball valve very easily. The body can be removed from the pipe section, complete with ball and sealing rings in-situ and refitting of seals can be achieved without removing the connection pieces from the pipe.

Design Advantages

ISO 5211 direct mounting pad

Blow - out proof stem

Prevents stem blowing out for maximum safety.

Easy in line maintenance

3 piece body swing out design, allowing easy maintenance.

Repair Kits Readily Available

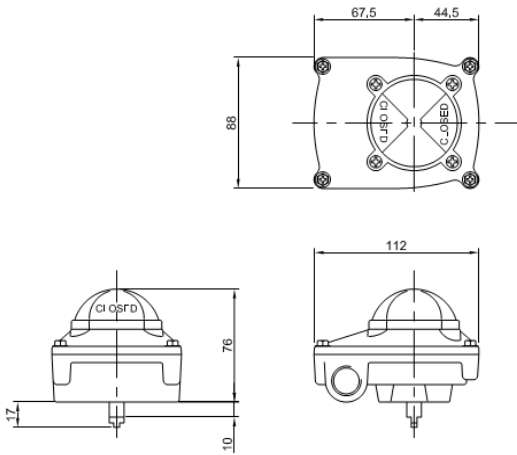
Options

V Ball for control

Switch fitted for feedback of open and closed position

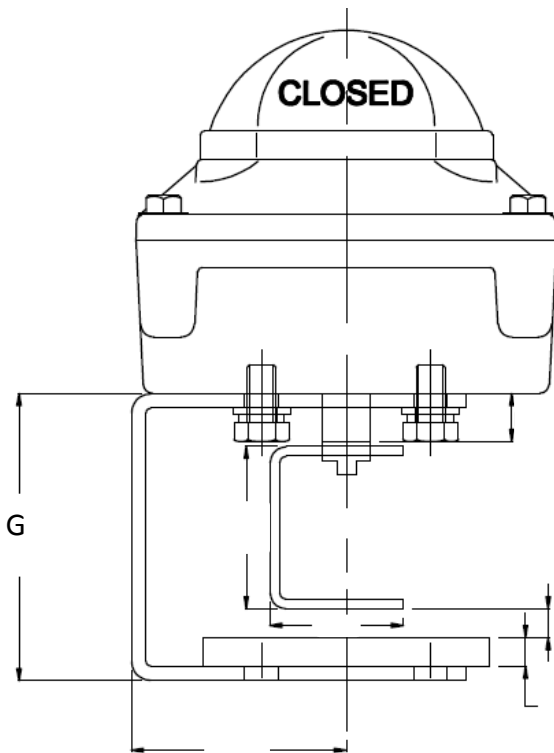
Spring Return Handle (Dead mans Handle)

Other end connections available



SPECIFICATION

- Die Cast Aluminium enclosure
- IP67 Enclosure
- Polyester powder coating (black) finish
- Stainless steel Namur shaft
- 2x M20 cable entries
- 2x SPDT mechanical limit switches
- Voltage/Amps 240V AC/16A, 125V AC/16A, 250VDC/0.3A, 125VDC/0.6A and 30VDC/10A
- Captive cover bolts
- -20°C to + 80°C Ambient temperature



OPTIONS
Atex approved EXD
Proximity sensors

