



Unidirectional Knife Gate Valve Cast Iron Handwheel Operated

- European Manufacture
- Size Range DN50 – DN300
- Standard flange connection: EN1092 PN10
- Cast Iron GG25 Body, 304 St. St. Gate
- EPDM Seats NBR Option
- Low pressure loss
- Stainless Steel Body Option
- Wafer Pattern

DESCRIPTION

A Uni-directional Cast Iron (GG25) Knife Gate Valve, with a 304 stainless steel gate, that is manufactured in Europe. Rising stem (non rising on request) handwheel operated, with sizes ranging from DN50 - DN300 and suitable to fit between PN10 flanges (PN16 on request). Seat EPDM as standard but NBR option at same cost. Other options include, Metal, FKM, SILICONE. Synthetic and PTFE packing with Toric ring. Blue epoxy coated paint as standard. Temperature range: Up to 120°C (EPDM seats) and up to 200°C (Metal Seats) Pressure rating: 10 Bar 2" to 10", 6 Bar 12". Used for water (not Potable and not WRAS Approved) in water treatment, food, chemical and pulp industries.

- **Optional extras:**
- Limit Switch fitted
- Can be actuated
- Quick Opening Lever

Typical applications include:

water treatment, cement industry, bulk handling and food industries.



Description

A Cast Iron handwheel operated knife gate valve with 304 Stainless steel gate. EPDM, NBR or Metal seat options. Manufactured following European Pressure Equipment Directive PED 97/23/CE. This valve is suitable for demanding applications and offers long life with reliability.



Beschreibung

Ein handradbetätigter Messerschieber aus Gusseisen mit Edelstahlschieber 304. EPDM-, NBR- oder Metallsitzoptionen. Hergestellt gemäß der europäischen Druckgeräterichtlinie PED 97/23 / CE. Dieses Ventil ist für anspruchsvolle Anwendungen geeignet und bietet eine lange Lebensdauer mit Zuverlässigkeit.



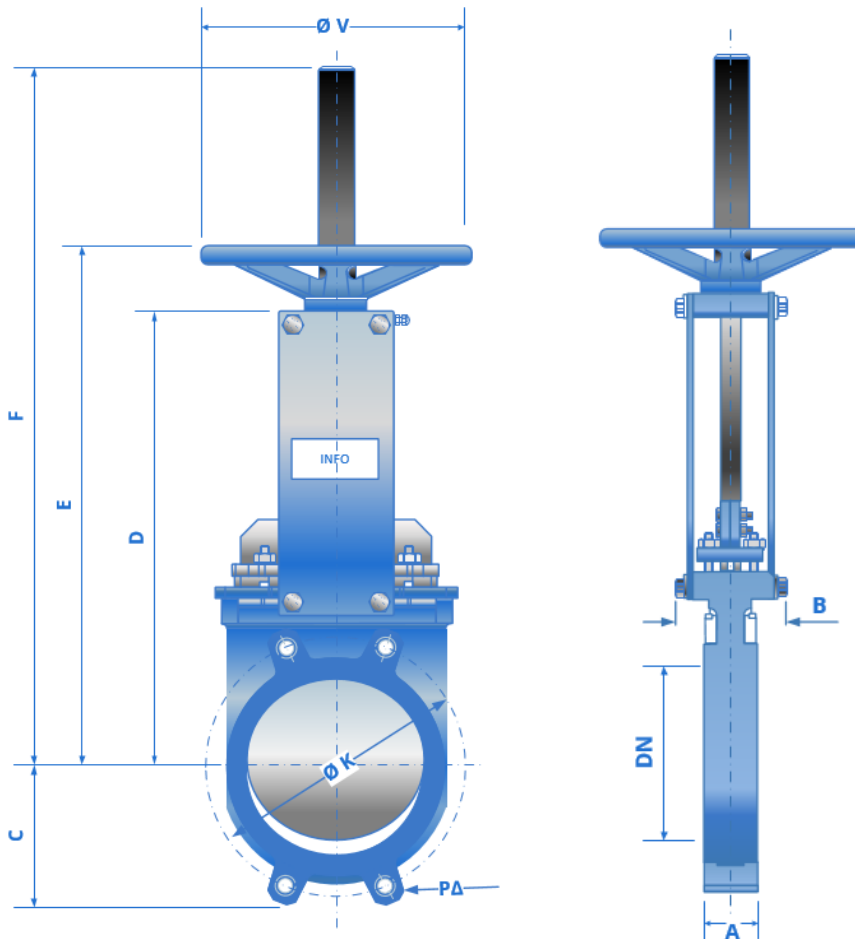
Descripción

Una válvula de compuerta de cuchilla de hierro fundido operada por volante con compuerta de acero inoxidable 304. Opciones de asiento EPDM, NBR o Metal. Fabricado siguiendo la directiva europea de equipos a presión PED 97/23 / CE. Esta válvula es adecuada para aplicaciones exigentes y ofrece una larga vida útil con fiabilidad.



Description

Une vanne à guillotine en fonte à commande manuelle avec porte en acier inoxydable 304. Options de siège EPDM, NBR ou métal. Fabriqué conformément à la directive européenne sur les équipements sous pression PED 97/23 / CE. Cette vanne convient aux applications exigeantes et offre une longue durée de vie avec fiabilité.



SERIES 200 EV Handwheel operated Uni-Directional

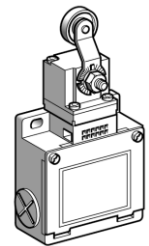
European manufacture in accordance with the European Pressure Directive PED 97/23/CE. Standard Seat EPDM

ACCESSORIES

Locking Padlock
Inductive Proximity Switches
Mechanical Limit Switches
Stops Mechanical

Roller Limit Switches :

Set of 2 for Pneumatic Actuated Knife Gate



Position Detectors :

Inductive Proximity switches
Set of 2 x 18mm Omron E2A-M18KS08-WP-B1-2M (3 wire PNP NO 24VDC)



Dimensions and Weights

Size DN	A	B	C	D	E	F	Øv	KG CAST IRON
50	40	90	65	240	285	399	200	7.5
65	40	90	71	267	310	426	200	8.5
80	50	90	92	292	336	452	200	10
100	50	90	106	338	382	498	200	11.5
125	50	90	121	367	430	577	245	15
150	60	90	135	417	480	627	245	19
200	60	120	160	525	596	802	310	31.5
250	70	120	200	622	697	953	310	44
300	70	120	232	722	797	1105	310	57

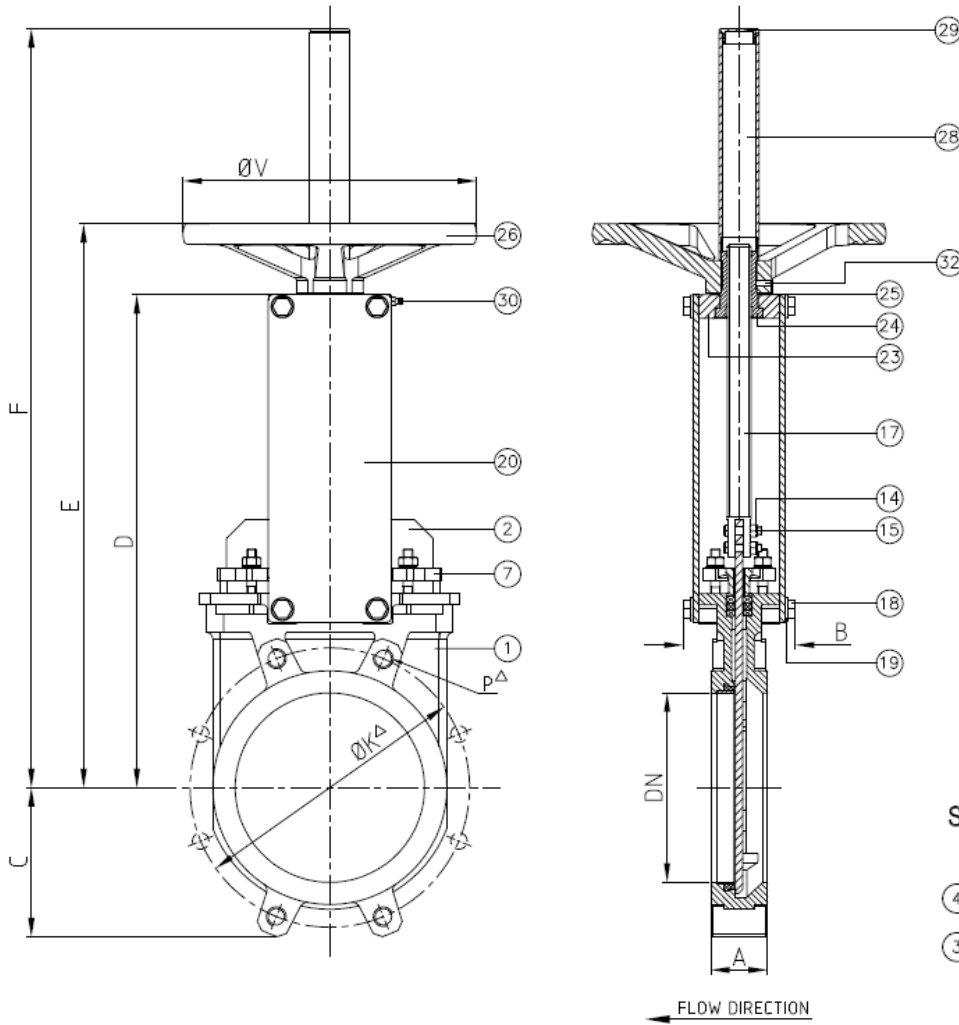
Flanges drilled according to EN 1092-2 and DIN 2501 : ISO PN10

Maximum working pressure	Standard testing pressure (EN 12266-1):
DN50 -DN250 10 Bar	DN50 -DN250 : 11 Bar
DN300 - DN400 6Bar	DN300 - DN400 : 6.6Bar
DN450 - DN600 4Bar	DN450 - DN600 4.4Bar

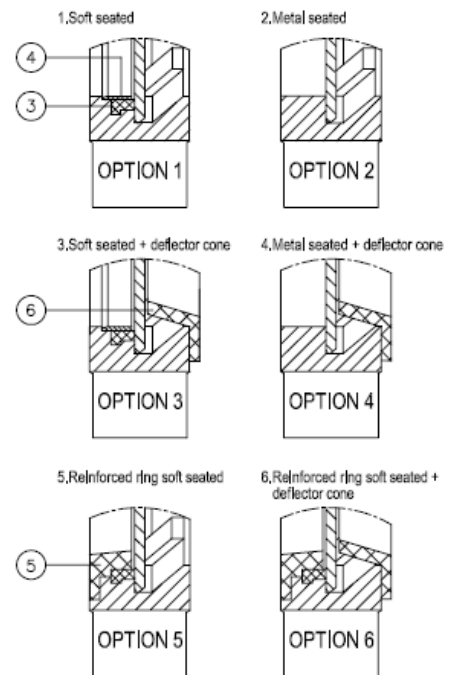
TEMPERATURES

NBR	-10°C/+80°C
EPDM	-10°C/+120°C
Metal	-10°C/+200°C

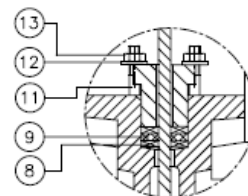
All information is sourced from our manufacturer's data and is intended for guidance only - ValvesOnline can accept no liability for changes, omissions or errors.



SEAT OPTIONS:



PACKING DETAIL:



Item	Description	Material
1	Body	Cast Iron GJL-250-GG25
2	Gate	AISI304L
3	Seat	EPDM/NBR
4	Sealing Ring	AISI316/304
5	Reinforced Ring 8	CF8M (AISI304)
6	Deflector Cone 15	CF8M (AISI316)
7	Packing Gland	Aluminium
8	Packing	SYNT/PTFE
9	Packing O Ring	EPDM/NBR
11	Stud	A2
12	Washer	A2
13	Nut	A2
14	Union Nut Spindle-Gate	A2
15	Union Bolt Spindle -Gate	A2
17	Spindle	AISI303/304
18	Bolt	A2
19	Washer	A2
20	Support Plate	Steel
23	Support Bridge	Steel
24	Maneuvering Nut	Brass
25	Handwheel Washer	Brass
26	Handwheel	Cast Iron GJL-250-GG25
28	Stem Protection Tube	Steel
29	Cover	Plastic
30	Oiling Nipple	Steel
32	Stop Screw	A2