

SKU: BV4114

-  MARS Series 91D Flanged Ball Valve
-  MARS Serie 91D Flansch-Kugelhahn
-  MARS Válvula de bola con bridas 91D Series
-  MARS Série 91D bride Ball Valve

Valves[™]
O N L I N E

- 1/2" - 6" Carbon & Stainless Steel Flanged Ball Valve
- 1/2" - 6" Carbon & Edelstahl Flansch-Kugelhahn
- 1/2" - 6" Válvula de bola con bridas de carbono y acero inoxidable
- 1/2" - 6" Carbone et en acier inoxydable bride Ball Valve



- Fire-safe and Antistatic
- Reduced Bore
- ISO Top for Easy Actuation
- Carbon and Stainless
- ANSI 150/300

MARS Series 91D is a high performance, reduced bore, flanged ANSI 150/300 ball valve. The valve is a single piece compact body that is Fire Safe Certified to API 607 4th Edition with Antistatic spring loaded stem to ball and stem to body anti-static device fitted as standard. The valve has an ISO mounting pad with a square stem top for direct mounting for actuation. A Lockable lever is supplied as standard for manual operation. The seats are RTFE with Graphite seals and can be replaced and maintained.

MARS Series 91D



Description

Direct mount, flanged manual ball valve with reducer bore. The valve offers one piece design stainless and carbon steel fire safe body antistatic feature and RTFE seats / Graphite seals. Supplied with latch locking lever.
½" to 6" ANSI 150/300
Temperature Range -20°C to 200°C.



Beschreibung

Direktmontage, Flansch-Kugelhahn mit Handgetriebe Bohrung. Das Ventil verfügt über einteilige Ausführung aus Edelstahl und Karbon feuersicheren Körper antistatische Eigenschaft und RTFE Sitze / Graphit-Dichtungen. Geliefert mit Verriegelung Querbügel.
½ "bis 6" ANSI 150/300
Temperaturbereich -20 ° C bis 200 ° C.



Descripción

Montaje directo, con bridas de válvula de bola manual con orificio reductor. La válvula ofrece diseño de una pieza de fuego de acero inoxidable y carbono cuerpo seguro característica antiestática y asientos RTFE / Juntas de grafito. Se suministra con palanca de bloqueo de cierre.
½ "a 6" ANSI 150/300
Rango de temperatura de -20°C a 200°C.



Description

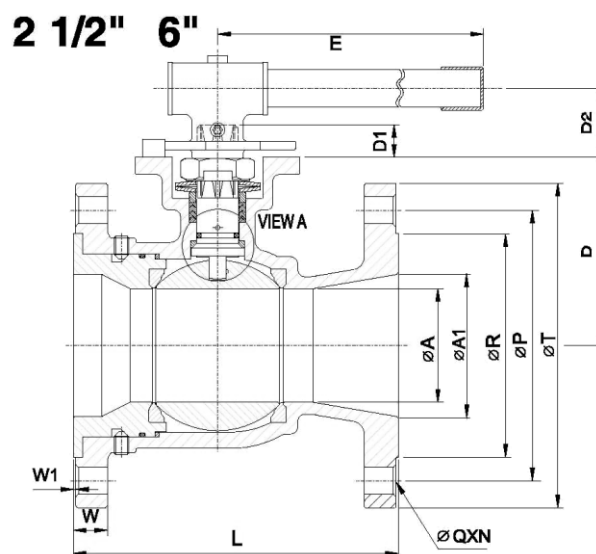
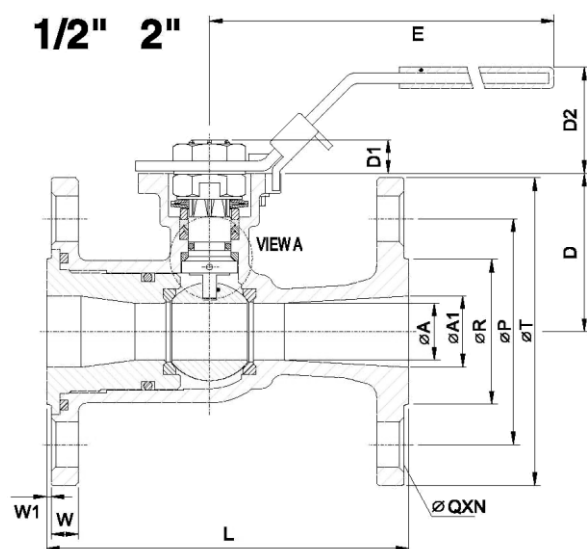
Montage direct , bridé vanne manuelle de la balle avec réducteur alésage . La vanne offre une conception monobloc feu de l'acier inoxydable et du carbone sécuritaire pour le corps fonction antistatique et sièges RTFE / joints de graphite . Livré avec levier de verrouillage loquet.
½ "à 6" ANSI 150/300
Gamme Température -20°C à 200°C .

**Suitable for both Electric
and Pneumatic Actuation**

-  MARS Series 91D Flanged Ball Valve
-  MARS Serie 91D Flanschkuigelhahn
-  MARS Válvula de bola con bridas 91D Series
-  MARS Série 91D bride Ball Valve

MARS 91D Flanged ANSI 150 / 300 Ball Valve

ANSI 150 Carbon Steel and Stainless Steel
ANSI 300 Carbon Steel Only



Dimensions Carbon and Stainless Steel ANSI 150

Size	ØA	B	C	D	D1	D2	ØI	ØJ	L	N	ØP	ØQ	ØR	ØT	W	W1	Ød1	Ød2	Wt(Kg)	ISO 5211
1/2"	12.7	11	165	45.7	9.4	36	42	50	108	4	60.5	16	35.1	88.9	11.2	1.6	6.5	7	1.64	F04/F05
3/4"	15	11	165	51.2	9.9	36	42	50	117	4	69.9	16	42.9	98.6	11.2	1.6	6.5	7	2	F04/F05
1"	20	11	165	55.5	9.9	36	42	50	127	4	79.2	16	50.8	108	11.2	1.6	6.5	7	2.57	F04/F05
1 1/2"	32	14	215	72.6	12.9	47	50	70	165	4	98.6	16	73.2	127	14.3	1.6	7.5	9	5.38	F05/F07
2"	38	17/19	263	89.1	19	55	70	102	178	4	121	19	91.9	152.4	15.9	1.6	10	12	8.12	F07/F10
2 1/2"	50	17/19	263	96.6	19	55	70	102	190	4	140	19	104.6	177.8	17.6	1.6	10	12	11.94	F07/F10
3"	65	17/19	365	116	19	44.3	70	102	204	4	152	19	127	190.5	19	1.6	10	12	16	F07/F10
4"	80	22	365	133	23	48.4	102	125	229	8	191	19	157.2	228.6	23.9	1.6	12	14	26	F10/F12
6"	111	27	750	180	28.5	65	125	140	267	8	241	22.2	215.9	279.4	25.4	1.6	14	18	-	F12/F14

Dimensions for Carbon Steel ANSI 300

Size	ØA	B	C	D	D1	D2	ØI	ØJ	L	N	ØP	ØQ	ØR	ØT	W	W1	Ød1	Ød2	ISO 5211
1/2"	12.7	11	165	48.7	9.9	36	42	50	140	4	66.5	16	35.1	95.3	14.3	1.6	6.5	7	F04/F05
3/4"	15	11	165	63.5	10.3	37	42	50	152	4	82.6	19.1	42.9	117.3	15.8	1.6	6.5	7	F04/F05
1"	20	11	165	63.5	10.3	37	42	50	165	4	88.9	19.1	50.8	124	17.6	1.6	6.5	7	F04/F05
1 1/2"	32	14	215	78.7	12.9	47	50	70	191	4	144	22.2	73.2	155.5	20.5	1.6	7.5	9	F05/F07
2"	38	17/19	263	89.1	18.1	55	70	102	216	8	127	19.1	91.9	165.1	22.4	1.6	10	12	F07/F10
2 1/2"	50	17/19	263	98.6	17	55	70	102	241	8	149	22.2	104.6	190.6	25.4	1.6	10	12	F07/F10
3"	65	17/19	365	116	19	44.3	70	102	282	8	168	22.2	127	209.6	28.5	1.6	10	12	F07/F10
4"	80	22	365	133	23	48.4	102	125	305	8	200	22.2	157.2	254	31.8	1.6	12	14	F10/F12
6"	111	27	750	180	28.5	65	125	140	403	12	270	22.2	215.9	317.5	36.6	1.6	14	18	F12/F14

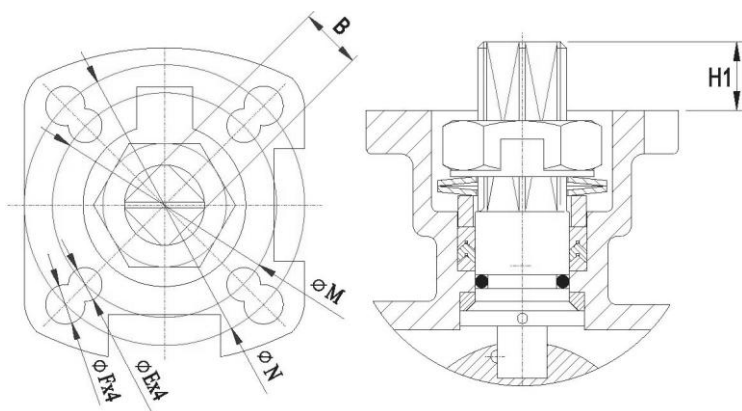
-  MARS Series 91D Flanged Ball Valve
-  MARS Serie 91D Flanschkuigelhahn
-  MARS Válvula de bola con bridas 91D Series
-  MARS Série 91D bride Ball Valve

MARS 91D Flanged ANSI 150 / 300 Ball Valve

ANSI 150 Carbon Steel and Stainless Steel ANSI 300 Carbon Steel Only

Typical applications - for manual or automatic shut off.

This type of valve is generally used in Industrial and Chemical Processes or applications in hazardous areas that require a more arduous duty.



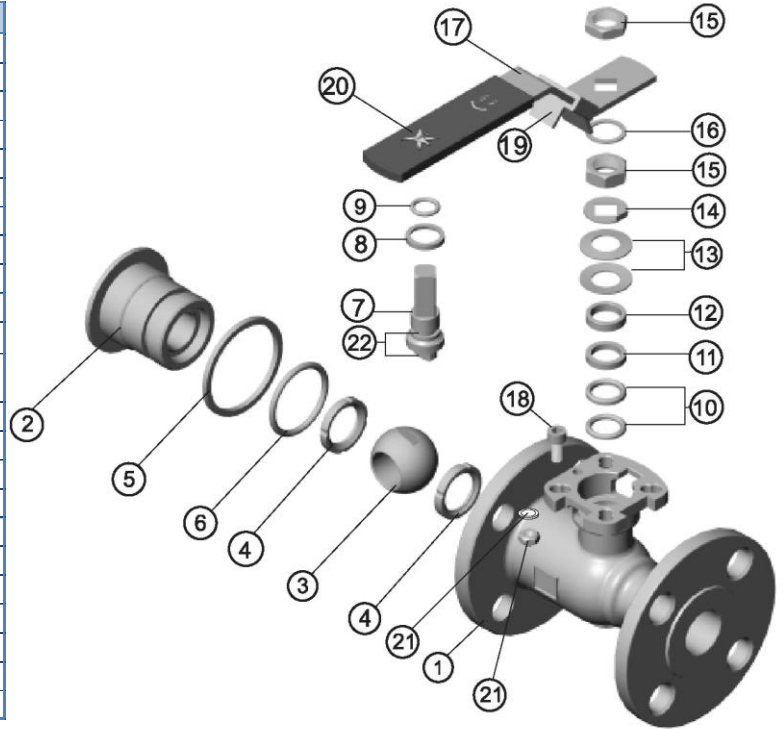
91D Series							
size	B	H1	M	N	E	F	ISO 5211
1/2"	11	9.4	42	50	6.5	7	F04/F05
3/4"	11	9.9	42	50	6.5	7	F04/F05
1"	11	9.9	42	50	6.5	7	F04/F05
1 1/2"	14	12.9	50	70	7.5	9	F05/F07
2"	17	18.1	70	102	10	12	F07/F10
2 1/2"	17	19	70	102	10	12	F07/F10
2"	17	19	70	102	10	12	F07/F10
4"	22	23	102	125	12	14	F10/F12
6"	27	28.5	125	140	14	18	F12/F14

Break Away Torque & Cv Values					
Size	DN	Inch-Lb	NM	Cr U.S.GPM	Kv M3/hour
1/2"	15	89	10	9	8
3/4"	20	89	10	15	13
1"	25	124	14	42	36
1 1/4"	32	292	33	125	108
1 1/2"	40	354	40	165	140
2"	50	390	44	-	-
2 1/2"	65	523	59	350	298
2"	80	851	96	680	578
4"	100	1878	212	1020	867

-  MARS Series 91D Flanged Ball Valve
-  MARS Serie 91D Flanschkuigelhahn
-  MARS Válvula de bola con bridas 91D Series
-  MARS Série 91D bride Ball Valve

MARS 91D Flanged ANSI 150/300 Ball Valve

Materials			
No.	Part Name	Material	Qty
1	Body	CF8M/WCB	1
2	Cap	CF8M/WCB	1
3	Ball	SUS316	1
4	Seat	RPTFE	2
5	Joint Gasket	PTFE	1
6	O-Ring	VITON	1
7	Stem	SUS316	1
8	Stem Seal	RPTFE	1
9	O-Ring	VITON	1
10	Gland Packing	PTFE	5
11	Gland Packing	25% Glass Fibre Filled + PTFE	1
12	Gland Bush	SUS304	1
13	Belleville Washer	SUS301	2
14	Stop Washer	SUS304	1
15	Stem Nut	SUS304	2
16	Stem Washer	SUS304	1
17	Handle	SUS304	1
18	Stop Pin	SUS304	1
19	Locking Device	SUS304	1
20	Handle Sleeve	Vinyl	1
21	Pin Nut	SUS304	1
22	Antistatic Device	SUS304	2



Standard Specification			
Construction	One Piece Body Flanged Ball Valves Reduced Port Investment Cast: 1/2"-6"	Compliance Standards	ASME/ANSI B16.34, ANSI B16.10, API 598, API 607/4, BS5351, BS6755, BS5159.
Size Range	1/2" - 6"	Material Certificate	EN 10204 - 3.1
Pressure rating	Carbon Steel ANSI 150 Stainless Steel ANSI 150 Carbon Steel ANSI 300	Quality System	ISO 9001
Valve Material	Standard: ASTM A351 Gr. CF8M / DIN 1.4408 Options: WCB, 316L S/S, Titanium, Duplex, Hastelloy C, Alloy 20	Options	NCE MR - 0175 Stand Valve is non-fire safe design, fire safe valve is optional
Seat Material	Standard: R-TFE / PTFE Options: TFM 1600, PEEK, Carbon Filled PTFE, DERLIN, UHMWPE, 50/50 S/S filled PTFE, Metal Seats... and others	Inspection and Test	API 598, BS6755 Part 1

