



Description – Extreme Range

A serious valve for serious applications, this perfectly designed series of ball valves offer a PVC-C, true double union ended ball valve, with choice of either EPDM or FPM O-Rings with ball seats in PTFE. The valve is fitted onto a powerful Pneumatic actuator offered in either Spring Return or Double Acting, via a special purpose made mounting bracket, which gives rigidity and strength. The valve has resistance to many inorganic chemicals, aggressive fluids and has excellent high flow characteristics.

Connections offered are metric solvent Socket, Threaded BSP and Flanged PN6/10. Other body materials include U-PVC, PP-H, PVDF, ABS.

The actuator is manufactured from aluminum with a hard anodised Finish. All actuators are designed to the latest ISO/Namur standards and they are ATEX Approved.
End of stroke adjustment(+ - 5 deg).

The actuator can be fitted with feedback limit switch boxes, pilot solenoids, slow opening/closing devices and many more system additions.

Extreme Series Pneumatically Operated PVC-C Ball Valve

- Remote Isolating Flow in Liquid Systems
- 1/2" to 3", D20-D90
- PTFE Ball Seats, with Choice of O-Rings
- Threaded BSP, Solvent Socket-Metric, Flanged PN6/10
- Antiblock System that Avoids Blockage
- Suitable for Aggressive Media
- Multi Voltage
- Spring Return or Double acting Actuator

Technical Information

Body Material	C-U, PVC-C, PP-H, PVDF, ABS
Seal Material	PTFE/EPDM, PTFE/FPM
Media	
Media Temperature	See Temperature Chart
Ambient Temperature	-10°C to + 55°C
Port Connections	True union - weld, threaded, Flanged
Operating pressure	0-10 Bar, 0-16 Bar
Material - Actuator	Hard Anodised Aluminium Extrusion
Pilot Pressure	6 Bar, Max 10 Bar
Rotation Angle	90° turn
Limit Switches optional	Switchbox or magnetic sensors
Pilot Solenoid-optional	Namur interface
Position Indicator	Standard- Visual
Installation	Do not mount the Actuator upside down

Design Advantages

A ball valve from our Extreme Range, that offers high performance, excellent flow characteristics and a minimal pressure drop. Antiblock stem that avoids ball blockage.

Chemical Resistance

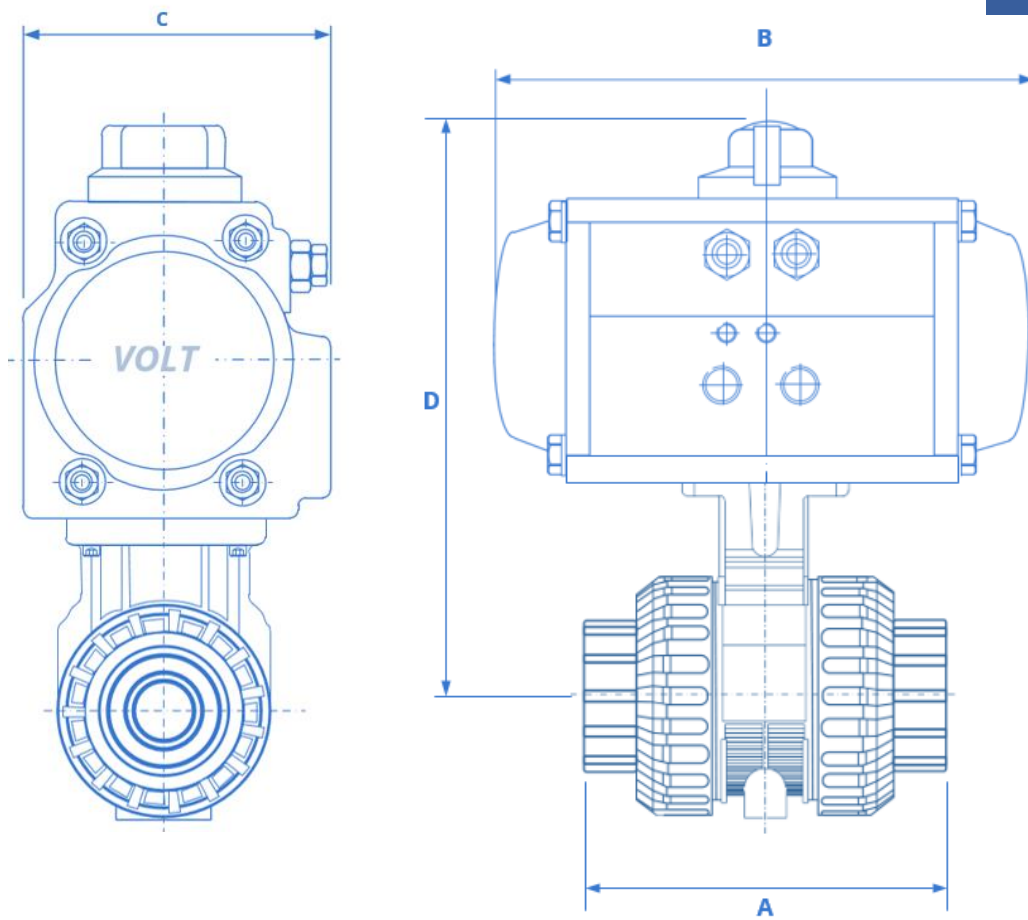
Suitable for Aggressive Media

Body Options

PVC-U / PVC-C / PP-H / PVDF / ABS

Easy to Actuate

Our Purpose Built Mounting Kit



Technical - Actuator

Body material	Hard anodised extruded aluminium alloy
End Caps	Die cast aluminium epoxy coated
Spring	High tensile steel
Indicator	Open/Closed
Pinion shaft	Alloy steel nickle plated
Pinion Guides	Self Lubricating Polypropylene
Port connections	1/8" up to HP88 1/4" above
Piston seals	NBR

Specification

Max Pressure range	10 Bar
Double acting	2.5 Bar - 8 Bar, Sized at 6 Bar
Single acting	2.5 Bar - 8 Bar, Sized at 6 Bar
Temperture range	minus 20°C - 80°C
Movement	90 Degree adjustable -5° - +5°
Lubrication	All moving parts are lubricated
Cycle Life	1,000,000 operations
Approvals	EX, ATEX, CE, PED

All information is sourced from our manufacturer's data and is intended for guidance only - ValvesOnline can accept no liability for changes, omissions or errors.

Flanged Spring Return Dimensions

BS / Imperial	ACTUATOR	A	B	C	D	H4
15	HP50S	95	144	72	143	95
20	HP50S	105	144	72	154	105
25	HP50S	115	144	72	163	115
32	HP50S	140	144	72	174	140
40	HP63S	150	163	72	203	150
50	HP66S	165	202	85	225	165
65	HP88S	185	247	108	282	185
80	HP100S	200	268	123	324	200

Flanged Double Acting Dimensions

BS / Imperial	ACTUATOR	A	B	C	D	H4
15	HP50D	95	144	72	143	95
20	HP50D	105	144	72	154	105
25	HP50D	115	144	72	163	115
32	HP50D	140	144	72	174	140
40	HP50D	150	144	72	189	150
50	HP63D	165	163	85	225	165
65	HP75D	185	210	96	270	185
80	HP75D	200	210	96	300	200

Imperial Screwed BSP Spring Return Dimensions

BS / Imperial	ACTUATOR	A	B	C	D	H
1/2"	HP50S	87	144	72	143	87
3/4"	HP50S	101	144	72	154	101
1"	HP50S	122	144	72	163	122
1 1/4"	HP50S	135	144	72	174	135
1 1/2"	HP63S	149	163	72	203	149
2"	HP66S	174	202	85	225	174
2 1/2"	HP88S	216	247	108	282	216
3"	HP100S	256	268	123	324	256

Imperial Screwed BSP Double Acting Dimensions

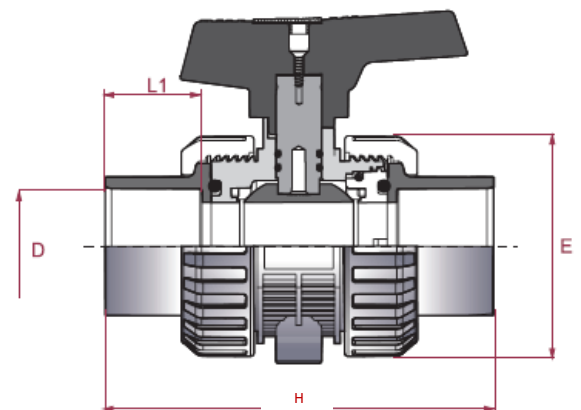
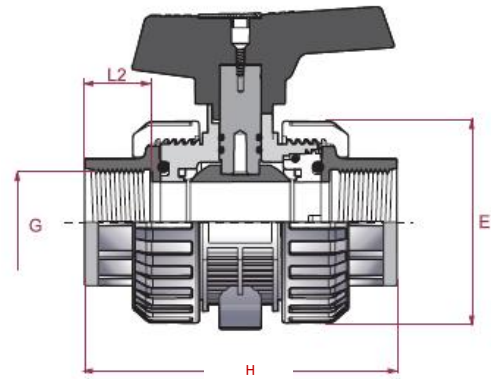
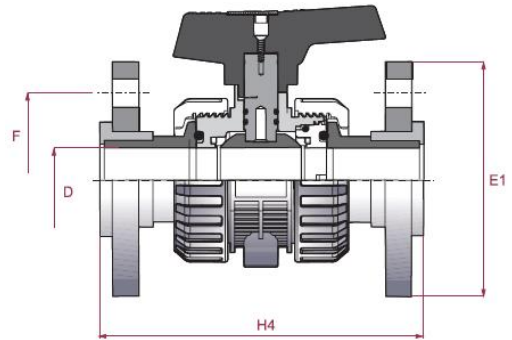
BS / Imperial	ACTUATOR	A	B	C	D	H
1/2"	HP50D	87	144	72	143	87
3/4"	HP50D	101	144	72	154	101
1"	HP50D	122	144	72	163	122
1 1/4"	HP50D	135	144	72	174	135
1 1/2"	HP50D	149	144	72	189	149
2"	HP63D	174	163	85	225	174
2 1/2"	HP75D	216	210	96	270	216
3"	HP75D	256	210	96	300	256

Metric Solvent Socket Spring Return Dimensions

Metric / DIN	ACTUATOR	A	B	C	D	H
20	HP50S	87	144	72	143	87
25	HP50S	101	144	72	154	101
32	HP50S	122	144	72	163	122
40	HP50S	135	163	72	188	135
50	HP63S	149	202	72	203	149
63	HP66S	174	210	85	242	174
75	HP75S	216	268	108	294	216
90	HP100S	256	316	123	342	256

Metric Solvent Socket Double Acting Dimensions

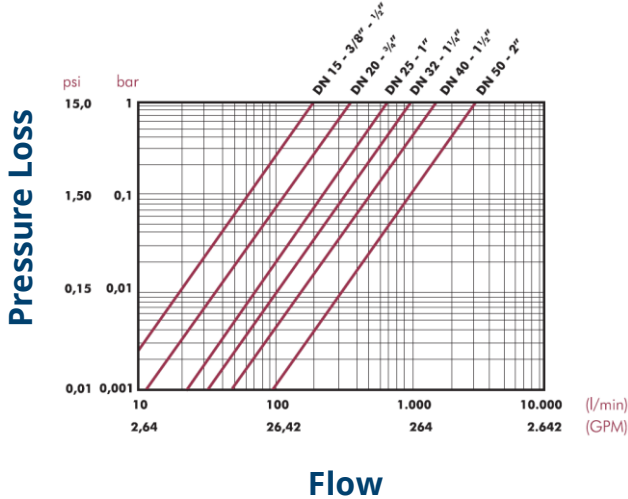
Metric / DIN	ACTUATOR	A	B	D	C	H
20	HP50D	87	144	143	72	87
25	HP50D	101	144	154	72	101
32	HP50D	122	144	163	72	122
40	HP50D	135	144	174	72	135
50	HP63D	149	163	203	85	149
63	HP66D	174	202	225	85	174
75	HP75D	216	210	270	96	216
90	HP88D	256	247	312	108	256



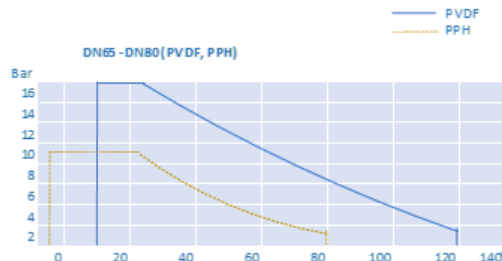
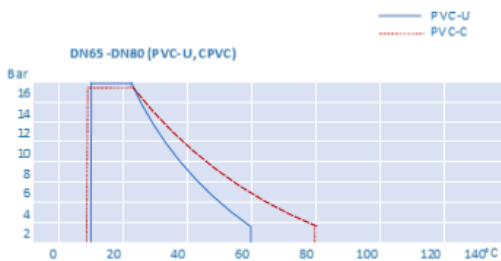
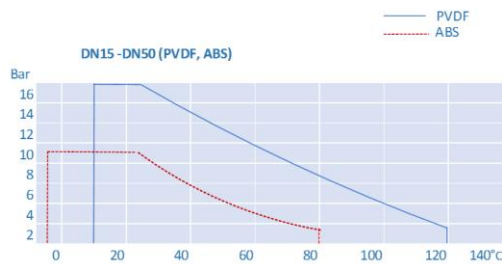
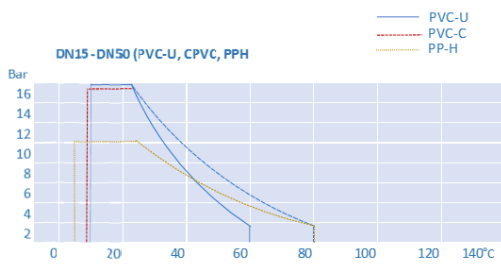
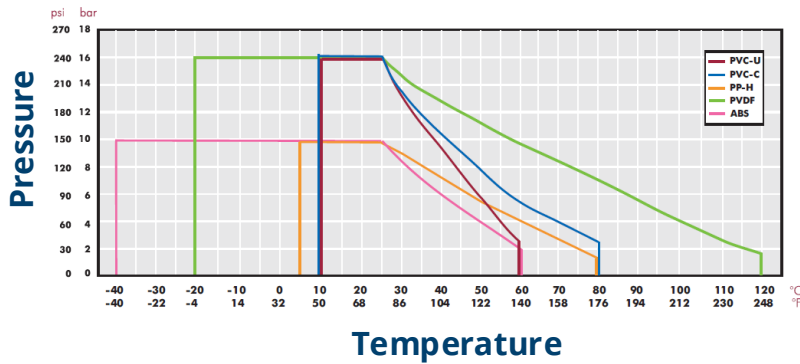
All information is sourced from our manufacturer's data and is intended for guidance only - Valves Online can accept no liability for changes, omissions or errors.

PRESSURE / TEMPERATURE CHART

$C_v = K_v100 / 14,28$
 K_v100 (l/min, >p = 1 bar)
 C_v (GPM, >p = 1 psi)



Pressure - Temperature



All information is sourced from our manufacturer's data and is intended for guidance only - Valves Online can accept no liability for changes, omissions or errors.

Auxiliary Limit Switch Box

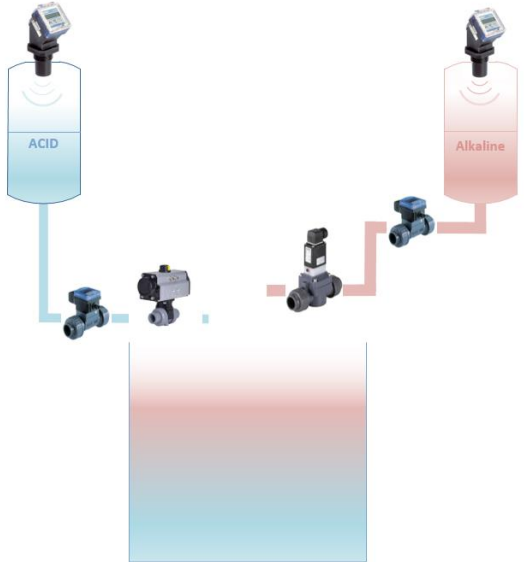


Namur Mounted Solenoid Valves



Everything you need to complete your System, all available from one source. Friendly Technical advice, Economic prices and fast deliveries.

Not just valves - we supply the complete solution



Solenoid Valves

Flow and Batch

Sensors and Transmitters