



The latest Volt addition is the perfect combination of ball valve and pneumatic actuator, meeting today's industry standards. Comprising of a three piece 316 Stainless Steel ball valve, having an investment cast body with PTFE Sealing. The valve offers a high cycle life and has self-adjusting packing glands. The valve is ideally suited for open/closed Pneumatic operation/isolation on various mediums. It fits directly onto a powerful pneumatic actuator, offered in both single and double acting functions with the addition of universal mounting platforms for position feedback, pilot solenoids and gearbox override.

Design Advantages

Blow - out proof stem

Prevents stem blowing out for maximum safety.

Easy in line maintenance

3 piece body swing out design, allowing easy maintenance.

Repair Kits Readily Available

Normally Closed by Spring – NC
Normally Open by Spring – NO
Double Acting – Air to Open and Close

STOCKED PRODUCT

All information is sourced from our manufacturer's data and is intended for guidance only - Valves Online can accept no liability for changes, omissions or errors.

2 Way Pneumatically Actuated Ball Valve.

- 3 Piece, Full Bore Design
- 1/4" to 2"
- Body Stainless Steel / PTFE Seat
- Various End Connections
- Double Acting and Single acting
- 1000 PSI (PN63) Rated
- Fully Maintainable
- Available Online



Description

A well engineered 3 piece fully maintainable ball valve, fitted to a powerful Pneumatic spring close/open or double acting actuator. Perfectly sized between valve and actuator with the addition of a 30% safety factor included, offering high flow rates and reliable operation.



Beschreibung

Ein technisch ausgereiftes 3-teiliges, vollständig wartbares Kugelventil, das an einem leistungsstarken pneumatischen Federschließ- / doppelwirkenden Antrieb angebracht ist. Perfekt dimensioniert zwischen Ventil und Antrieb mit einem zusätzlichen Sicherheitsfaktor von 30%, der hohe Durchflussraten und zuverlässigen Betrieb bietet.



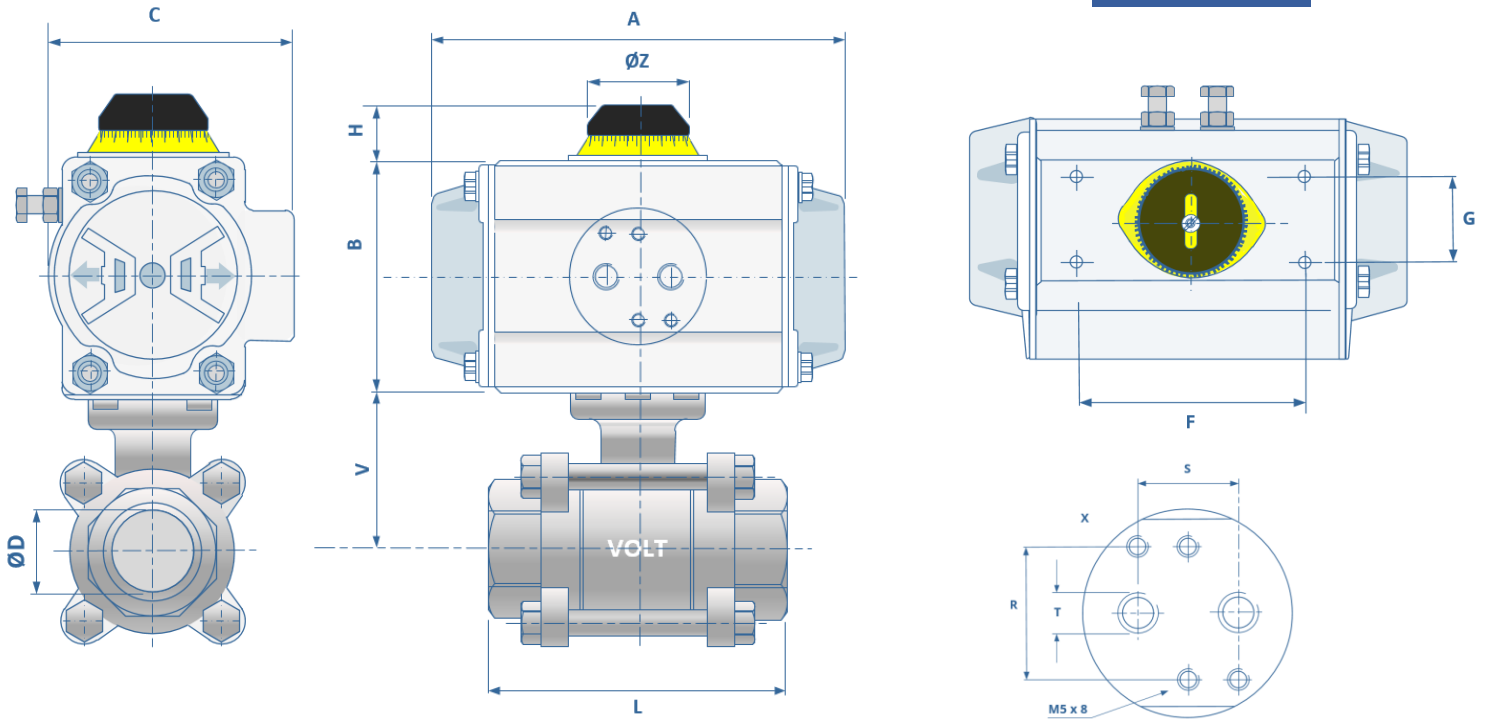
Descripción

Una válvula de bola bien mantenida, de 3 piezas y completamente mantenible, montada en un potente actuador neumático de cierre / apertura o doble efecto. Perfectamente dimensionado entre válvula y actuador con la adición de un factor de seguridad del 30% incluido, que ofrece altas tasas de flujo y operación confiable.



Description

Un robinet à boisseau sphérique 3 pièces facilement démontable et suivi en terme de maintenance, préparé également pour recevoir une motorisation pneumatique simple ou double effet. Les actionneurs prévus pour cette vanne sont dimensionnés et calculés avec un facteur de sécurité de 30%, ils offrent grâce à leur construction un taux de fréquence d'utilisation important et fiable.



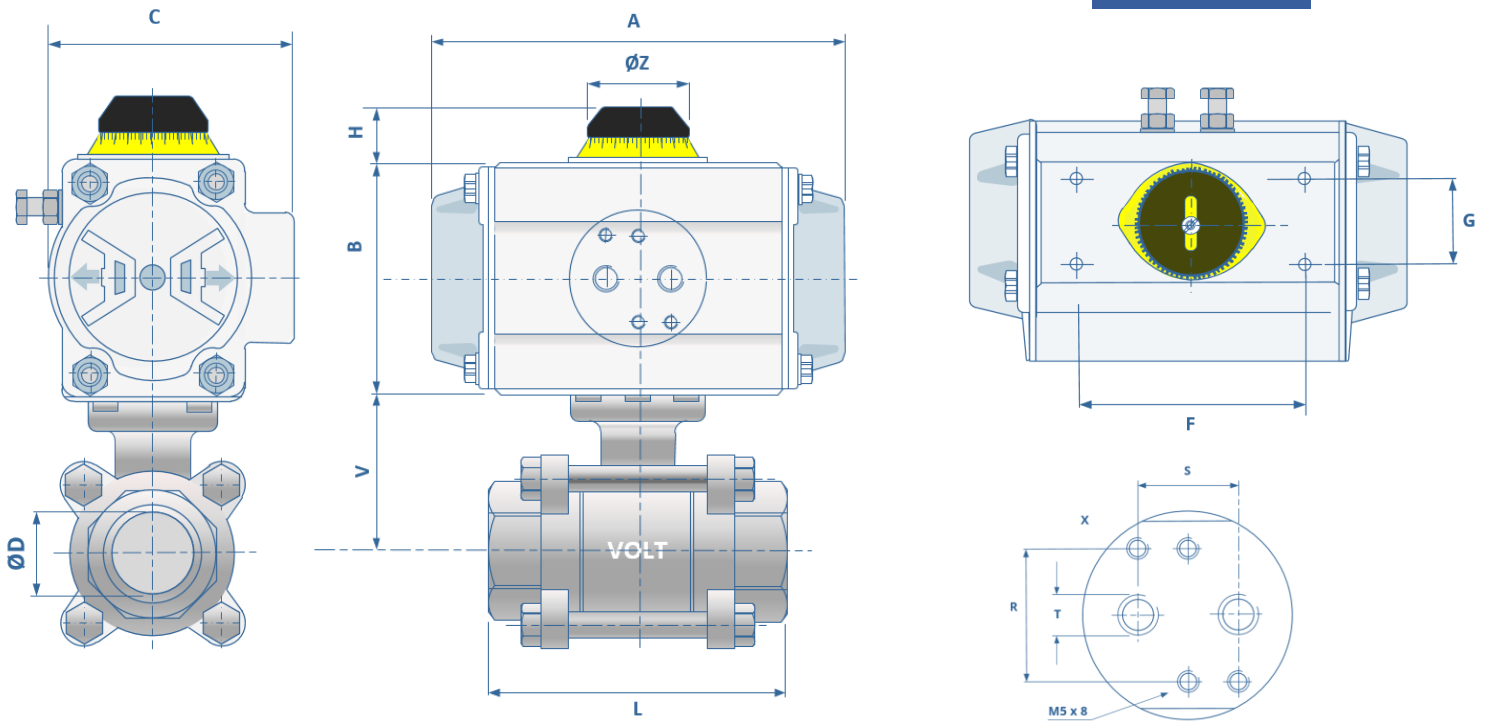
Threaded - Spring Open / or Close - Dimensions mm

Port Connection	Actuator Type	L	ØD	V	A	B	C	F	G	H	R	S	T	ØZ	Weight kg	N/Open Threaded	KV m³/h
Size	Model																
1/4"	15	65	10	40	136	69	72	80	30	20	32	24	1/8"	37	2.45	217250	9
3/8"	15	65	12	40	136	69	72	80	30	20	32	24	1/8"	37	2.45	217251	13
1/2"	30	75	15	40	153.5	85	84.5	80	30	20	32	24	1/8"	37	2.7	217252	19
3/4"	30	80	20	44	153.5	85	84.5	80	30	20	32	24	1/8"	37	2.7	217253	46
1"	60	90	25	52	203.5	93	93	80	30	20	32	24	1/8"	37	4.6	217254	72
1 1/4"	60	110	32	58	203.5	93	93	80	30	20	32	24	1/8"	37	5.25	217255	105
1 1/2"	100	120	40	68	241	115	106	8	30	20	32	24	1/8"	37	7.4	217256	170
2"	100	140	50	77	241	115	106	80	30	20	32	24	1/8"	37	9.1	217257	275
2 1/2"	150	185	65	98	259	127	118.5	80	30	20	32	24	1/4"	37	16	217258	507
3"	220	205	80	110	304	145	136	80	30	20	32	24	1/4"	51	25.1	217259	905
4"	300	240	100	138	333	157	146.5	80	30	20	32	24	1/4"	51	35.2	217260	1414

Weld End - Spring Open / or Close - Dimensions mm

Port Connection	Actuator Type	L	ØD	V	A	B	C	F	G	H	R	S	T	ØZ	Weight kg	N/Closed Weld	KV m³/h
Size	Model																
1/4"	15	70	10	40	136	69	72	80	30	20	32	24	1/8"	37	2.45		9
3/8"	15	70	12	40	136	69	72	80	30	20	32	24	1/8"	37	2.45	217261	13
1/2"	30	75	15	40	153.5	85	84.5	80	30	20	32	24	1/8"	37	2.7	217262	19
3/4"	30	90	20	44	153.5	85	84.5	80	30	20	32	24	1/8"	37	2.7	217263	46
1"	60	100	25	52	203.5	93	93	80	30	20	32	24	1/8"	37	4.6	217264	72
1 1/4"	60	110	32	58	203.5	93	93	80	30	20	32	24	1/8"	37	5.25	217265	105
1 1/2"	100	125	40	68	241	115	106	8	30	20	32	24	1/8"	37	7.4	217266	170
2"	100	150	50	77	241	115	106	80	30	20	32	24	1/8"	37	9.1	217267	275
2 1/2"	150	190	65	98	259	127	118.5	80	30	20	32	24	1/4"	37	16	217268	507
3"	220	220	80	110	304	145	136	80	30	30	32	24	1/4"	51	25.1	217269	905
4"	300	270	100	138	333	157	146.5	80	30	30	32	24	1/4"	51	35.2	217270	1414

All information is sourced from our manufacturer's data and is intended for guidance only - ValvesOnline can accept no liability for changes, omissions or errors.



Threaded - Double Acting - Dimensions mm

Port Connection	Actuator Type	L	ØD	V	A	B	C	F	G	H	R	S	T	ØZ	Weight kg	threaded	KV m³/h
Size	Model																
1/4"	15	65	10	40	136	69	72	80	30	20	32	24	1/8"	37	1.75	217271	9
3/8"	15	65	12	40	136	69	72	80	30	20	32	24	1/8"	37	1.75	217272	13
1/2"	15	75	15	40	136	69	72	80	30	20	32	24	1/8"	37	1.75	217273	19
3/4"	15	80	20	44	136	69	72	80	30	20	32	24	1/8"	37	1.95	217274	46
1"	15	90	25	52	136	69	72	80	30	20	32	24	1/8"	37	2.3	217275	72
1 1/4"	30	110	32	58	153.5	85	84.5	80	30	20	32	24	1/8"	37	3.6	217276	105
1 1/2"	30	120	40	68	153.5	85	84.5	80	30	20	32	24	1/8"	37	4.6	217277	170
2"	60	140	50	77	203.5	102	93	80	30	20	32	24	1/8"	37	7.4	217278	275
2 1/2"	100	185	65	98	241	115	106	80	30	20	32	24	1/8"	37	13.2	217279	507
3"	150	205	80	110	259	127	118.5	80	30	20	32	24	1/4"	37	19.6	217280	905
4"	150	240	100	138	259	127	118.5	80	30	20	32	24	1/4"	37	28	217281	1414

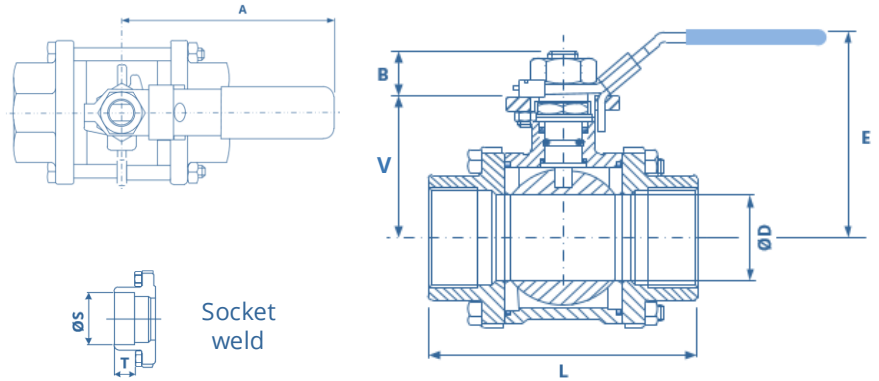
Weld End - Double Acting - Dimensions mm

Port Connection	Actuator Type	L	ØD	V	A	B	C	F	G	H	R	S	T	ØZ	Weight kg	weld	KV m³/h
Size	Model																
3/8"	15	70	12	40	136	69	72	80	30	20	32	24	1/8"	37	1.75	217261	13
1/2"	15	75	15	40	136	69	72	80	30	20	32	24	1/8"	37	1.75	217262	19
3/4"	15	90	20	44	136	69	72	80	30	20	32	24	1/8"	37	1.95	217263	46
1"	15	100	25	52	136	69	72	80	30	20	32	24	1/8"	37	2.3	217264	72
1 1/4"	30	110	32	58	153.5	85	84.5	80	30	20	32	24	1/8"	37	3.6	217265	105
1 1/2"	30	125	40	68	153.5	85	84.5	80	30	20	32	24	1/8"	37	4.6	217266	170
2"	60	150	50	77	203.5	102	93	80	30	20	32	24	1/8"	37	7.4	217267	275
2 1/2"	100	190	65	98	241	115	106	80	30	20	32	24	1/8"	37	13.2	217268	507
3"	150	220	80	110	259	127	118.5	80	30	20	32	24	1/4"	37	19.6	217269	905
4"	150	270	100	138	259	127	118.5	80	30	20	32	24	1/4"	37	28	217270	1414

All information is sourced from our manufacturer's data and is intended for guidance only - ValvesOnline can accept no liability for changes, omissions or errors.

Actuator and Valve Details

Valve	3-Piece Fully Maintainable
Body	Stainless Steel 1.4408
Ball	Stainless Steel 1.4408
Seat	PTFE
Temperature	180°C
Pressure	1000 psi / PN63
Sizes	1/4" to 2"
Actuator	
Control Function	Normally Closed (NC) Normally Open (NO) Double Acting (DA)
Pilot Pressure	6 - 8 Bar
Pilot Port	G1/4"
Pilot Medium	Compressed Air, filtered, oiled or dry
Body material	Aluminium



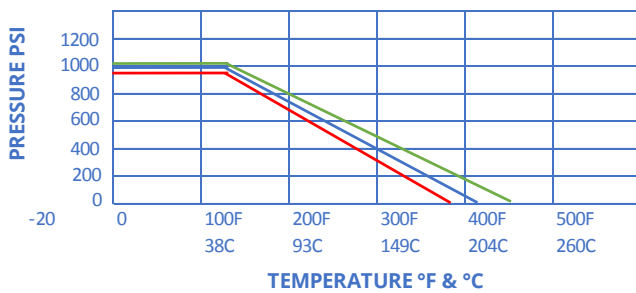
Specification	
Pressure range	1/2" to 2" 1000 PSI/PN63 2 1/2" - 4" 800 PSI
Size	Full Bore 1/2" to 2"
Temperature range	Standard -20° to +180° PTFE,
Movement	90°
Cycle life	1,000,000 operations
Diameter Class	Full Port Schedule 40 Pipe
Packing Gland	Self Adjusting RPTFE, PTFE & FKM
End Connections	BSPP
	NPT
	Socket Weld to Schedule 40 Pipe OD
Control Options	V Port Ball

Dimensions

Size	A	B	C	L	S	T	Weight kg
1/4"	122	47	11	65			0.36
3/8"	122	47	12.5	65	12	11.1	0.36
1/2"	122	49	15	75	15	12.7	0.48
3/4"	142	55	20	80	20	14.3	0.84
1"	164	71	25	90	25	15.9	1.1
1 1/4"	164	76	32	110	32	17.5	1.78
1 1/2"	212	83	38	120	40	19.1	2.54
2"	212	94	50	140	50	22.2	4.12

Pressure - Temperature Limits

SIZE 1/4" - 2"



PTFE



RPTFE
PTFE + 15%
Glass

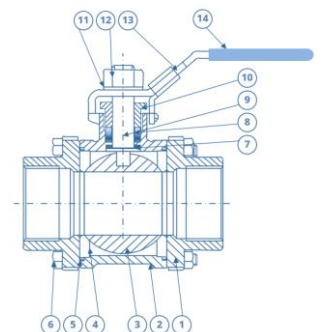


TFM
1600



Material List

NO.	Parts	Materials	QTY
1	End Cap	CF8M	2
2	Body	CF8M	1
3	Ball	SS316	1
4	Seat	PTFE	2
5	Gasket	PTFE	2
6	Bolts	SUS304	4
7	Thrust Washer	RPTFE	1
8	Stem Packing	PTFE	1
9	Stem	SUS316	1
10	Gland	SUS304	1
11	Spring Washer	SUS304	1
12	Stem Nut	SUS304	1
13	Handle	SUS304	1
14	Handle Cover	PLASTIC	1



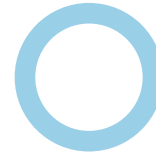
All information is sourced from our manufacturer's data and is intended for guidance only - ValvesOnline can accept no liability for changes, omissions or errors.

Repair Kits Ordering Chart

Size	PTFE	TFM 1600	TFM4215
1/4"	93920117	93920128	93920854
3/8"	93920118	93920129	93920855
1/2"	93920119	93920120	93920139
3/4"	93920120	93920130	93920140
1"	93920121	93920131	93920141
1 1/4"	93920122	93920132	93920142
1 1/2"	93920123	93920133	93920143
2"	93920124	93920134	93920144



PTFE



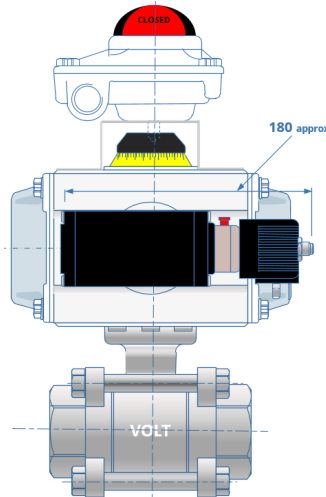
TFM 1600



TFM 4215

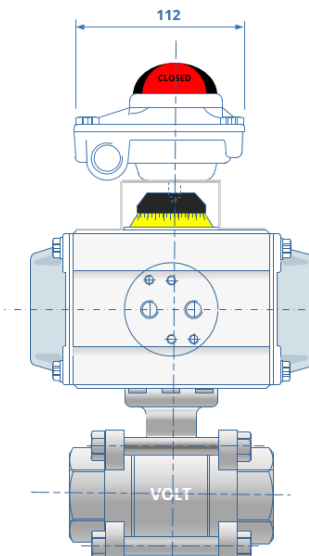
Pilot Solenoid Ordering Chart

Voltage	Part Number
24 VDC	AP9000-900001
24 VAC	AP9000-900002
110 VAC	AP9000-900003
230 VAC	AP9000-900004



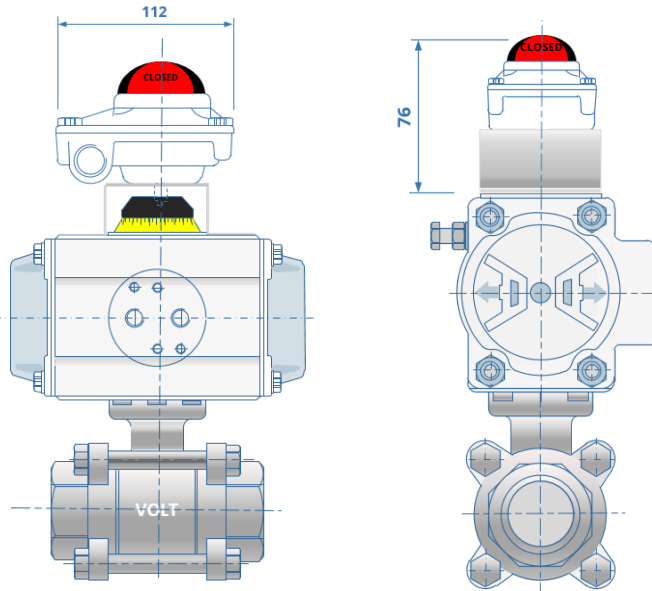
Switch Box Ordering Chart

Voltage	Part Number
24 VDC	APL210
24 VAC	APL210
110 VAC	APL210
230 VAC	APL210



All information is sourced from our manufacturer's data and is intended for guidance only - Valves Online can accept no liability for changes, omissions or errors.

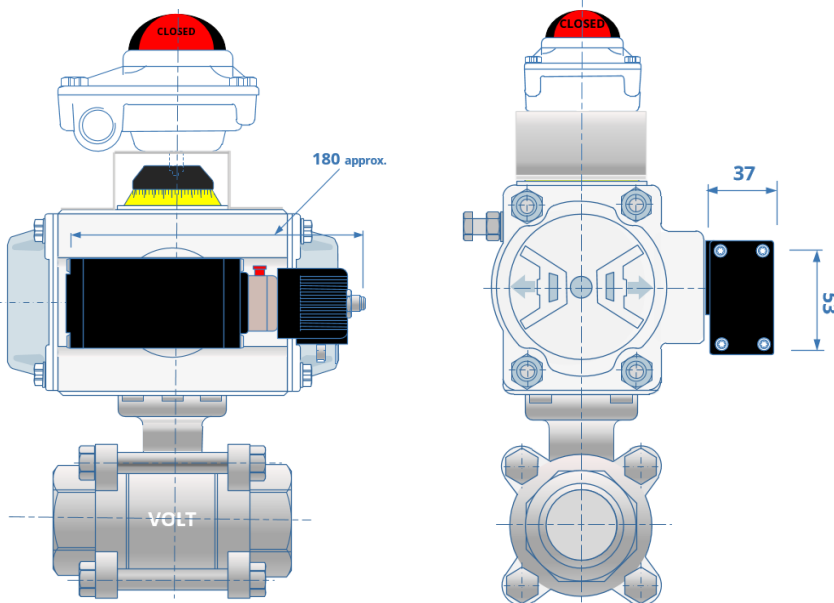
TYPE APL



APL 2 Standard Switchbox

Offering a reliable Optical and Electrical indication of the valve position at all times. Fitted with 2 x SPDT Limit Switches, offering IP67 protection, Beacon Indicator with choice of alternative colours and 2 x M20 cable entries.

Options:- include Proximity Sensors, Stainless Steel Housing, ATEX Exd or Exia Versions.



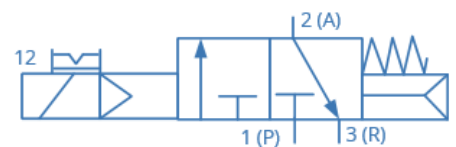
Namur Pilot Solenoid Valve

Sized to operate at 6 Bar, IP65 with Cable Plug, Seals NBR and Ports 1/4" BSP Brass. Voltages 24VDC 24/ 110 / 230 V/ 50-60 Hz

TYPE AP9000

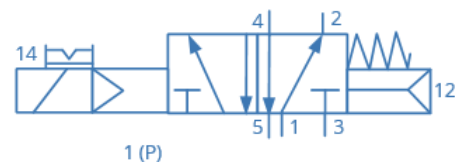
C Function 3/2

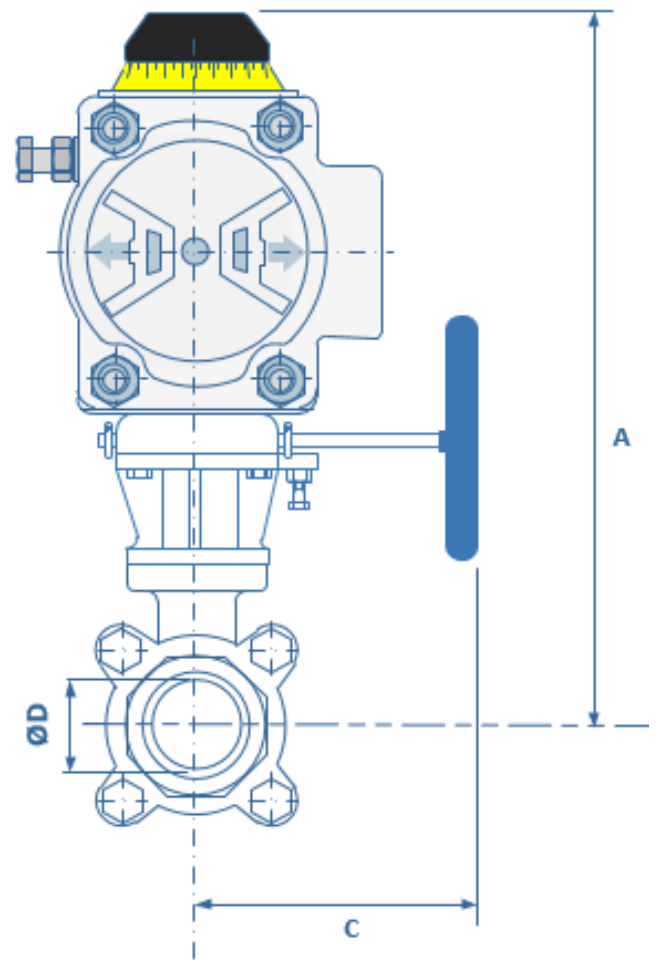
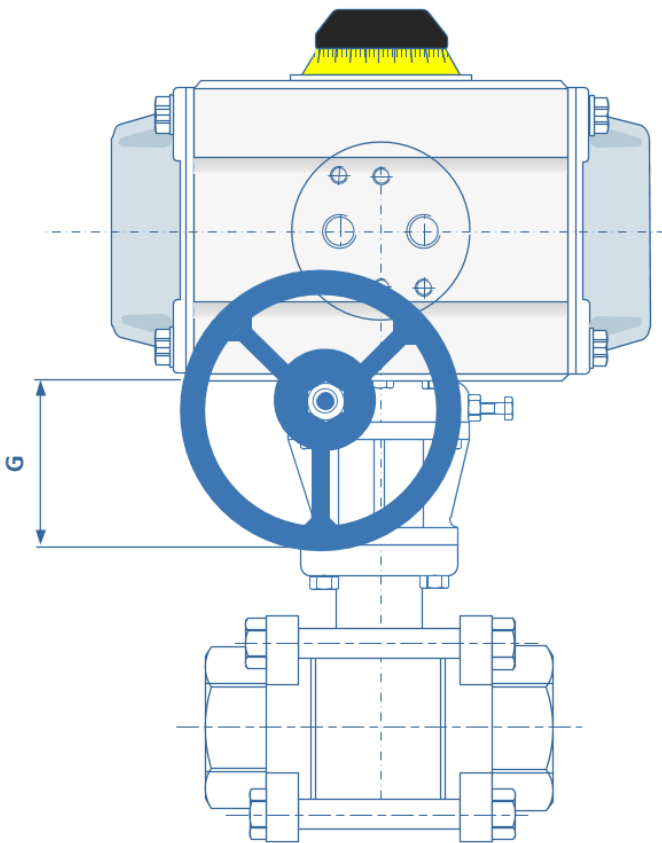
Usually used on Spring Return, Normally Closed with manual override, G1/4"Port, Supplied with cable Plug.



H Function 5/2

Usually used on Double Acting, manual override, G1/4"Port, Supplied with cable Plug.





Gear Box

Ordering Chart

Size	Part Number	Type	A	C	G
1/4"	9393003	960G-010	233	124	104
3/8"	9393003	960G-010	233	124	104
1/2"	9393003	960G-010	249	124	104
3/4"	9393003	960G-010	249	124	104
1"	9393003	960G-010	253	124	104
1 1/4"	9393003	960G-010	269	124	104
1 1/2"	9393003	960G-010	307	124	104
2"	9393004	960G-050	349	142	137

Type	Torque N/M	Ratio
960G-010	120	30:1
960G-050	500	48:1
960G-080	800	52:1
960G-160	1600	64:1

All information is sourced from our manufacturer's data and is intended for guidance only - ValvesOnline can accept no liability for changes, omissions or errors.