



## Pneumatic Globe Control Valve-ARI-STEVI

- Flanged PN25
- ½" to 4" DN15-DN100
- Nodular Iron Body, St. St. Trim
- PTFE V Ring (Spring Loaded)
- DP Pneumatic Actuator
- Digital Electro-Pneumatic Positioner

### > Description

The ARI-STEVI Vario offers many benefits over other control valves. They include long life stem seals, flexible changeable trims, offering multiple Kv values per body size, precise and durable operation (even at high differential pressures) thanks to the vibration reducing shaft guiding and easy handling.

Suitable for non-critical yet complex control tasks, in applications such as industrial plant, construction and process technology installations for mediums such as cooling water, cooling brine, warm water, hot water and steam. Offered as standard in a Nodular Iron Body (ENJS1049), Stainless Steel .448 Trim (1.4021+QT) and Spring-Loaded PTFE V-Ring unit. A Spring Return (Fail Close) Pneumatic Actuator and Stevi-Pos 94P20 Digital Electro-Pneumatic Positioner unit. Options available upon request include different trim materials, parabolic plugs with PTFE seats, miniature Kv values, increased tightness on seats i.e. Class IV leakage rate.

If you are not sure of the size, you require for your process please do not hesitate to get in contact with our Technical Sales team who will be able to size the correct valve for your process.

### > On request



### Description

The ARI-STEVI Vario PN25 flanged globe control valve in Nodular iron and stainless steel trim, fitted to a powerful pneumatic actuator and controlled by a digital electro-pneumatic positioner (0-10V, 0-5V, 0-20mA, 4-20mA). Up to -10 to +220°C Temperature Rated. DN15 to DN100, Kvs from 1 to 100 50:1 Rangeability



### Beschreibung

Das ARI-STEVI Vario PN25-Flanschregelventil in Sphäroguss und Edelstahl garnitur, montiert an einem leistungsstarken pneumatischen Stelltrieb und gesteuert durch einen digitalen elektropneumatischen Stellungsregler (0-10 V, 0-5 V, 0-20 mA, 4-20 mA) . Temperaturbeständig bis -10 bis +220 °C. DN15 bis DN100, Kvs von 1 bis 100 50:1 Stellverhältnis



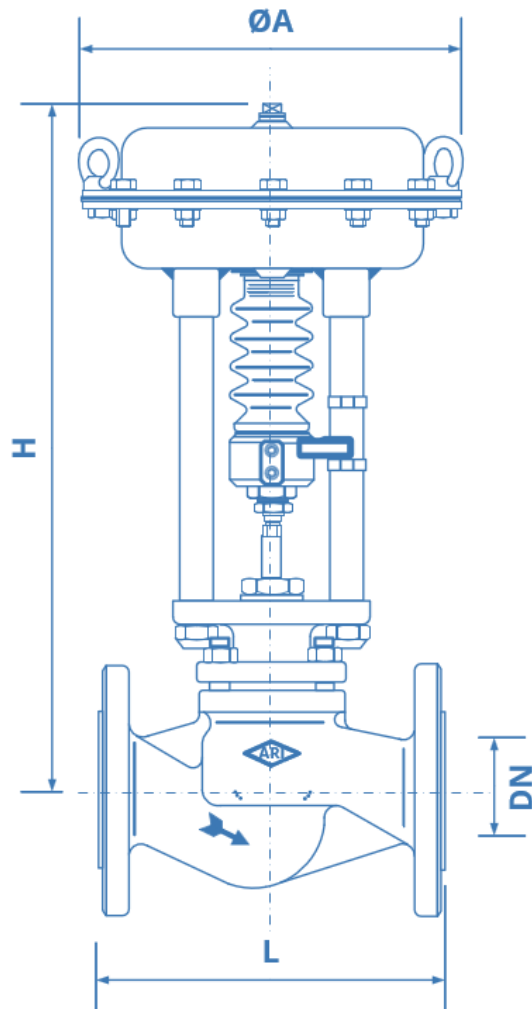
### Descripción

La válvula de control de globo bridada ARI-STEVI Vario PN25 en hierro nodular y acero inoxidable, montada en un potente actuador neumático y controlada por un posicionador electroneumático digital (0-10V, 0-5V, 0-20mA, 4-20mA) . Temperatura nominal de hasta -10 a +220 °C. DN15 a DN100, Kvs de 1 a 100 Rangeabilidad 50:1



### Description

La vanne de régulation à soupape à brides ARI-STEVI Vario PN25 en fonte nodulaire et garniture en acier inoxydable, équipée d'un actionneur pneumatique puissant et commandée par un positionneur électropneumatique numérique (0-10V, 0-5V, 0-20mA, 4-20mA) . Jusqu'à -10 à +220 °C de température nominale. DN15 à DN100, Kvs de 1 à 100 50:1 Rangeabilité



**DIMENSIONS**

	15	20	25	32	40	50	65	80	100
DN	15	20	25	32	40	50	65	80	100
L	130	150	160	180	200	230	290	310	350
ØA	168	168	168	250	250	250	300	300	300
H	354	354	369	378	393	400	458	480	496
Flange	PN40	PN40	PN40	PN40	PN40	PN40	PN16	PN40	PN16

**Figure 448 Height & Weight/ Actuator**

ACT		15	20	25	32	40	50	65	80	100
DP30	H	354	354	369						
	Kg	8	9	10						
DP32	H				378	393	400			
	Kg				17	19	22			
DP33	H							458	480	496
	Kg							34	41	53

All information is sourced from our manufacturer's data and is intended for guidance only - Valves Online can accept no liability for changes, omissions or errors.

**FIGURE ARI-STEVI**  
**448 Control Valve – Straight Through**  
**Pneumatic Actuator ARI-DP**

Valve Details				
DN	Figure	Kv	Act.	Closing Pressure
15	25.448	4	DP30	40 Bar
20	25.448	6.3	DP30	40 Bar
25	25.448	10	DP30	40 Bar
32	25.448	16	DP32	40 Bar
40	25.448	25	DP32	40 Bar
50	25.448	40	DP32	28 Bar
65	22.448	63	DP33	25 Bar
80	25.448	100	DP33	16 Bar
100	22.448	160	DP33	8 Bar



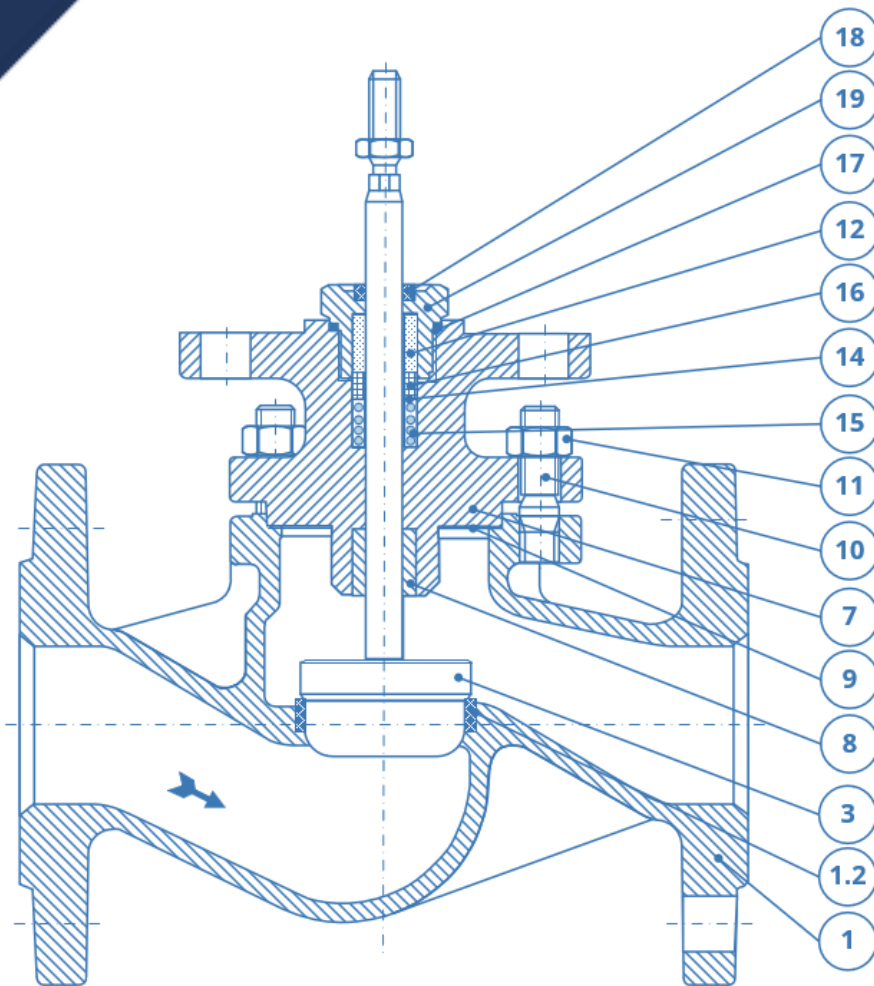
## ➤ Fail Closed Version Standard Fail Open on Request

- Fig. 25.448 is Fail Close Only
- Increased Closing Pressures on Request
- Alternative Kv Values on Request
- Alternative Materials on request

### Optional Extras

Electro Pneumatic Positioner – Stevi – Pos 94.P20

Air Treatment set – CO6

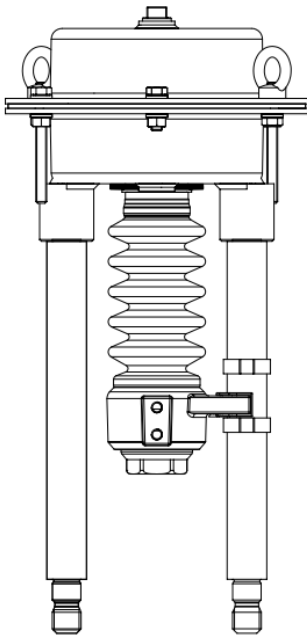


➤ **PTFE V-Ring Unit**

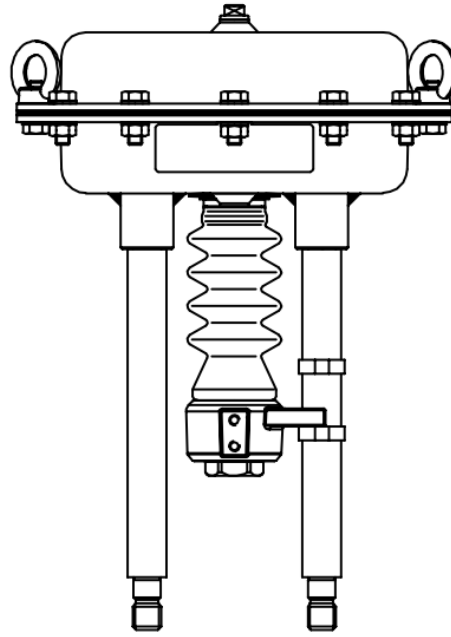
**MATERIALS**

ITEM	DESCRIPTION	FIG. 22/25 .448
1	BODY	EN-GUS-400-18ULT, EN-JS1049
1.2	SEAT RING	X20Cr13+QT, 1.4021+QT
3	PLUG	X20Cr13+QT, 1.4021+QT
7	MOUNTING BONNET	EN-GJS-400-18U-LT, EN-JS1049
8	GUIDE BUSHING	X20Cr13+QT, 1.4021+QT (Hardened)
9	GASKET	Pure Graphite (CrNi laminated with graphite)
10	STUD	25CrMo4, 1.7218
11	HEX. NUT	C35E, 1.1181
12	V-RING UNIT	PTFE
14	WASHER	X5CrNi18-10, 1.4301
15	COMPRESSION SPRING	X10CrNi18-8, 1.4310
16	BUSH	PTFE (Strengthend)
17	GASKET	Cu/Soft iron
18	SCRAPER	PTFE (Strengthend)
19	SCREW JOINT	X8CrNi18-9, 1.4305

All information is sourced from our manufacturer's data and is intended for guidance only - Valves Online can accept no liability for changes, omissions or errors.



**ARI-DP30**



**ARI-DP32 & ARI-DP33**

### Standard Spring Close on Air Failure

Type of Actuator	Spring Range bar	Air Supply Pressure Min. bar	Thrust (N)	Spring Qty pcs	Travel 20mm		Travel 30mm	
					Dead Volume (l)	Travel volume (l)	Dead Volume (l)	Travel volume (l)
DP30 80 cm <sup>2</sup>	2,2 - 4,5	4,8	2000	1	0,17	0,17		
	0,2 - 1,0	1,2	490	4	0,5	0,5	0,5	0,7
DP32 250 cm <sup>2</sup>	0,4 - 1,2	1,4	980	4	0,6	0,6	0,7	0,7
	0,8 - 2,4	2,7	1960	8	0,6	0,6	0,7	0,7
	1,5 - 2,9	3,2	3675	6	0,5	0,5	—	—
	2,0 - 3,8	4,1	4900	8	0,7	0,5	—	—
DP33 400 cm <sup>2</sup>	0,2 - 1,0	1,2	780	4	0,9	0,8	0,9	1,2
	0,4 - 1,2	1,4	1560	4	1,1	0,8	1,2	1,2
	0,8 - 2,4	2,7	3120	8	1,1	0,8	1,2	1,2
	1,5 - 3,0	3,3	5850	6	—	—	1,0	1,2
	1,7 - 2,7	3,1	6630	6	1,2	0,8	—	—
	2,0 - 4,0	4,5	7800	8	—	—	1,0	1,2
	2,3 - 3,7	4	8970	8	1,2	0,8	—	—

### FEATURES

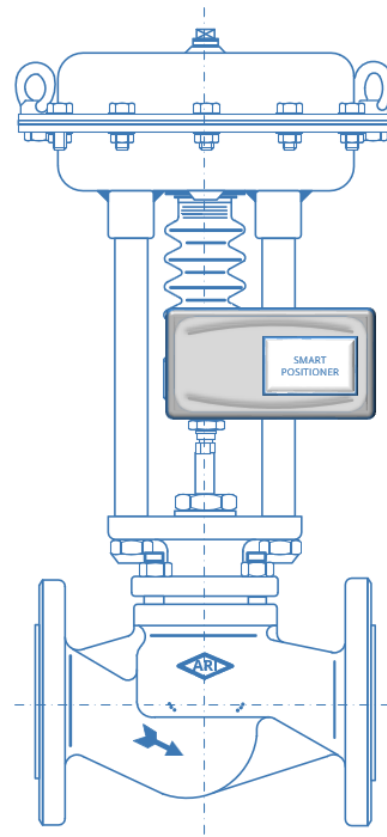
- Compact Design
- Favourable Size / Performance Ratio
- Maintenance free O Ring sealing
- Max. Air Supply Pressure 6 Bar
- Accommodates Stevi – Pos 94P20 Digital Positioner

## Digital Positioner Type Stevi-Pos 94P20



- Digital Positioner Type 94P20, is offered for exact controlling of the travel on the control valve. Fitted and tested option.

The Stevi pos electropneumatic position controller is attached to single acting pneumatic control valves to convert an electrical 4 to 20 mA signal into the valve position. The actual position of the control valve is detected via a wear free, contactless magnetic Hall Sensor and is compared with the setpoint. The position controller uses a pneumatic module to regulate the pressure in the pneumatic actuator that the actual position lies within a defined dead band range around the setpoint. The most important settings, such as inversion, dead band and tight closing function, can be conveniently adjusted via handy switches. The LCD display allows the user to monitor the status of the position controller. When the hood is open, it is possible using the manual operating mode to move the valve via the position controller using the push button. For full operating details please refer to operating manual.



All information is sourced from our manufacturer's data and is intended for guidance only - Valves Online can accept no liability for changes, omissions or errors.

### Valves Online

sales@valvesonline.co.uk

Tel. + 44 1822 855600

www.valvesonline.co.uk

