



Industrial Pressure Gauge Heavy Duty HVAC

- Back or Bottom Mounted
- Case Size 100mm (4"), Slim or Deep
- Pressure from -1bar to 70bar
- Dual Scale
- Blow Out Safety Disc

> Description

Specifically designed for the heating and ventilation market, mechanical services and air conditioning sector. Extremely well priced with an accuracy of 1% of full range. 30mm rear safety blow out disc. This heavy duty gauge has a black enamelled steel case either in a slim or deep option, stainless steel removable bezel and polycarbonate plastic window. All wetted parts are bronze/brass. Offered in a vast range of pressures and displayed on a dual scale face in Bar (Black) and PSI (Red).

Used for measurement of fluid liquids that are not: highly viscous, high temperature (over 60°C), likely to solidify/crystallise or corrosive to copper or tin alloys. Also suitable for gases up to 25Bar (excluding Oxygen and Acetylene).

> On request

Customer LOGO
Custom Ranges
Indicating Pointer
Calibration Certificate



Description

Heavy duty 100mm cased pressure gauge, supplied in either slim or a deep case. Black enamelled steel with a stainless steel bezel. This heavy duty HVAC pressure gauge has a temperature range -20°C to 60°C. The gauges are offered with a bottom or centre back connection and the pressure element is a sealed bourdon tube C type. Scale in PSI and Bar.



Beschreibung

Robustes 100-mm-Manometer mit Gehäuse, das entweder in einem schmalen oder einem tiefen Gehäuse geliefert wird. Schwarz emailierter Stahl mit Edelstahl-lunette. Dieses Hochleistungs-HVAC-Manometer hat einen Temperaturbereich von -20 °C bis 60 °C. Die Manometer werden mit Anschluss unten oder hinten in der Mitte angeboten und das Druckelement ist eine abgedichtete Bourdon-Rohrfeder vom Typ C. Skalierung in PSI und Bar.



Descripción

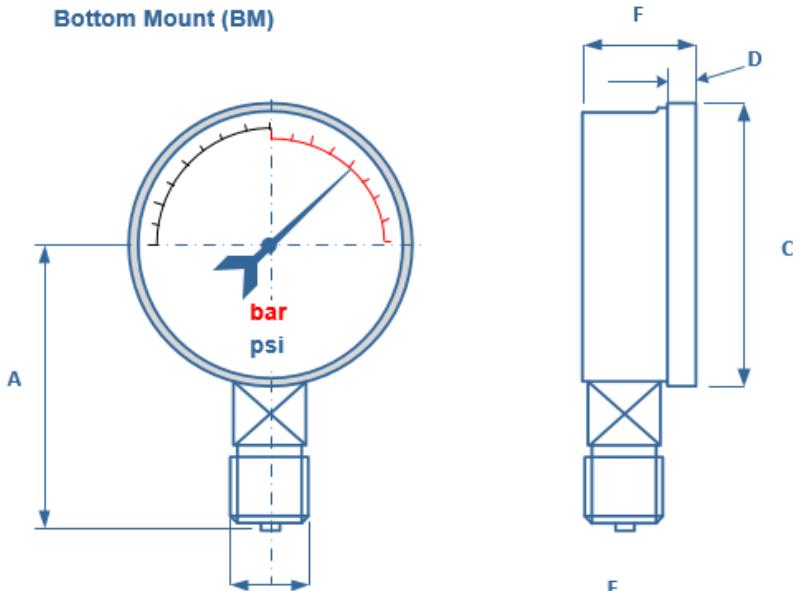
Manómetro de alta resistencia con caja de 100 mm, suministrado en caja delgada o profunda. Acero esmaltado en negro con bisel de acero inoxidable. Este manómetro HVAC de alta resistencia tiene un rango de temperatura de -20 °C a 60 °C. Los manómetros se ofrecen con una conexión trasera central o inferior y el elemento de presión es un tipo C de tubo Bourdon sellado. Escala en PSI y Bar.



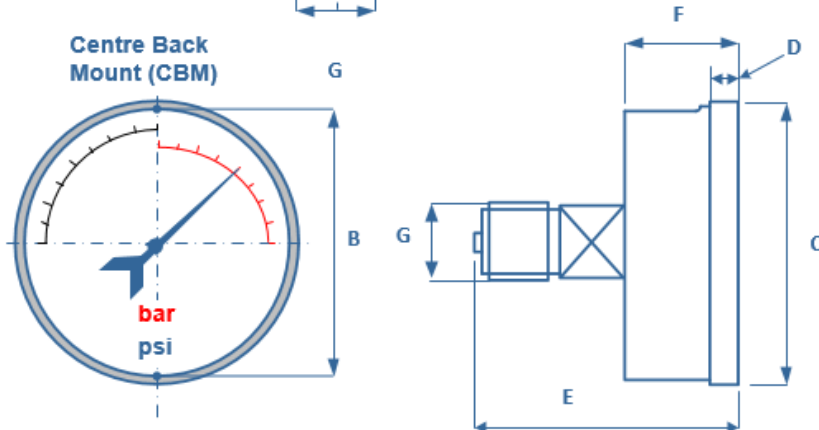
Description

Manomètre à boîtier robuste de 100 mm, fourni dans un boîtier mince ou profond. Acier émaillé noir avec lunette en acier inoxydable. Ce manomètre CVC à usage intensif a une plage de température de -20 °C à 60 °C. Les manomètres sont proposés avec une connexion inférieure ou centrale arrière et l'élément de pression est un tube de bourdon scellé de type C. Échelle en PSI et Bar.

Bottom Mount (BM)



Centre Back Mount (CBM)



> Heavy Duty Industrial Pressure Gauge (Dry)

Dimensions in mm

Size	A	B	C	D	E	F	G	Weight grams
100mm slim Case	80	90	100	18	70	36	3/8"	307
100mm Deep Case	80	90	100	18	70	47	3/8", 1/2"	449

> Application
For the measurement of fluid liquids, that are not viscous or likely to solidify/crystallise and have a corrosive effect on the gauges materials. Suitable for gases (excluding Oxygen and Acetylene). Designed for the UK's Heating/Ventilation, Mechanical services and Air Conditioning Industries.

Slim Case	Value
Nominal Size	100mm
Accuracy	100mm - 1.6%,
Series	PG2000
Scales	as above
Ranges	-30 HG Vacuum to 0/400 PSI (28Bar) Pressure
Mounting Options	Bottom, Centre Back and Surface Mounting
Operating Temperatures	Ambient: -20/+60°C Medium: +60°C maximum
Ingress Protection	IP 40 as per EN 60529
Case	Enameled Steel - Slim Black
Window	100mm Acrylic - Crystal clear, push fit .
Pressure Element	CU Alloy - Sealed Bourdon tube C-Type
Joints	Soldered with tin alloy
Movement	High Precision Brass
Process Connection Block	See Product Selector
Pointer	Aluminium - Black
Dial	Aluminium - White

Deep Case	Value
Nominal Size	100mm
Accuracy	+/- 1.0% FSD
Scales	BAR Outer (Black) & PSI Inner (Red) - Pressure BAR Outer (Black) & "HG Inner (Red) - Vacuum BAR Outer (Black) & "HG+PSI Inner (Red) - Compound
Ranges	-1/0 BAR Vacuum to 0/70 BAR Pressure
Mounting Options	Bottom - Direct Mounting (standard) Bottom - Surface Mounting with Rear 3 Hole Flange
Operating Temperature	Ambient: -20/+60°C Medium: +60°C maximum
Ingress Protection	IP 40 as per EN 60529
Case	Enameled Steel - Black Deep Case
Bezel	304 Stainless Steel
Window	Acrylic - Crystal clear
Pressure Element	CU Alloy - Sealed Bourdon tube C-Type
Joints	Soldered with tin alloy
Movement	High Precision Brass
Process Connection & Block	Brass - 3/8" BSP (parallel) male (standard) Brass - 22mm Square block
Rear Blow-Out	30mm Black rubber
Pointer	Aluminium - Black
Dial	Aluminium - White

> In Brief

- Slim or Deep Case
- Ranges: from -1 bar (-30"Hg) vacuum to 70 bar (1000 psi) pressure
- 100mm Diameter
- 1.6% - 1% Accuracy
- Connection: Bottom or Rear – 3/8" & 1/2" BSP
- Case Material: Black Steel
- -20°C to + 60°C
- Dual scale in PSI and Bar



All information is sourced from our manufacturer's data and is intended for guidance only - Valves Online can accept no liability for changes, omissions or errors.

