



The PA4104 Pneumatically actuated ball valve is a combination of the HP pneumatic actuator and a direct mount 2 way ball valve in stainless steel. Offering Spring close/open or Double acting options, this unit gives both reliability and economy. The ball valve offers full bore and screwed in BSP with NPT options. The HP range of pneumatic actuators have a Namur interface fitted as standard where a switchbox, solenoid and/or positioner can easily be fitted. Typical Applications include automatic on /off control and for isolation in general industrial service.

2 Piece Pneumatic Actuated 316 St. Ball Valve

- Pneumatic Actuated Ball Valve
- Full Bore with BSP Threads
- Option of Double Acting or Spring Closed/Open
- 1000 psi Rated



Description

A stainless steel direct mount ball valve is fitted with a high performance pneumatic actuator for on-off process applications. Available directly mounted to both double acting and spring return actuator, enhancing functionality, performance and reliability. Screwed in BSP with the option of NPT threads, seats Virgin PTFE.



Beschreibung

Ein Edelstahl- Direktmontage Kugelhahn ist mit einem Hochleistungs- pneumatischen Antrieb für die Ein-Aus- Process-Anwendungen ausgestattet. Erhältlich direkt an beiden doppelt wirkenden und Federrücklaufantrieb montiert, Verbesserung der Funktionalität, Leistung und Zuverlässigkeit. In BSP mit der Option, NPT-Gewinde aufgeschraubt und die Sitze Virgin PTFE.



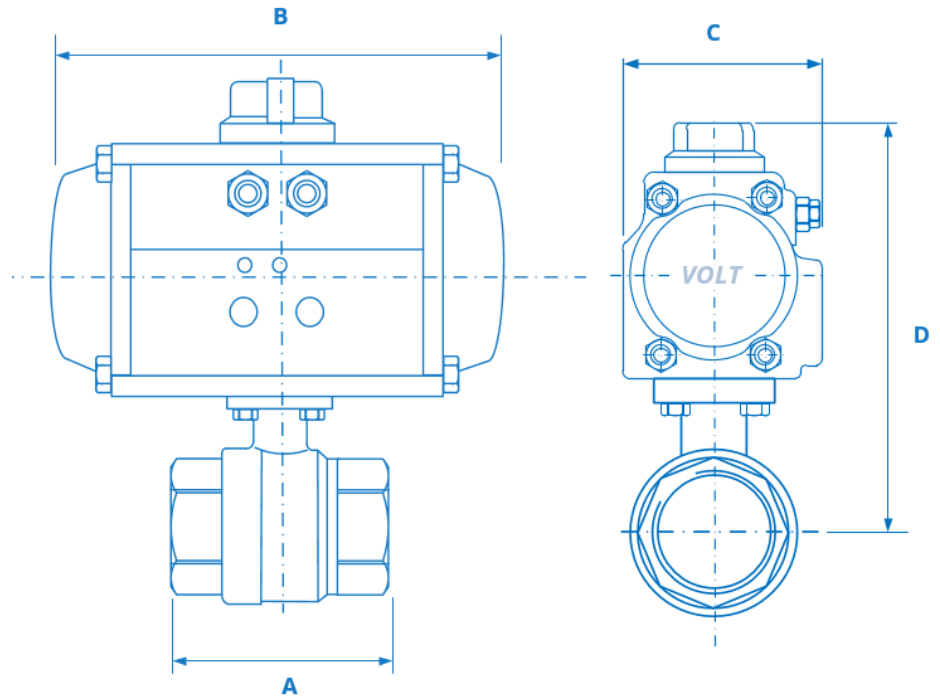
Descripción

Una válvula de bola de montaje directo acero inoxidable está equipado con un actuador neumático de alto rendimiento para aplicaciones de proceso de encendido y apagado. Disponible montado directamente tanto actuador de doble efecto y muelle de retorno, la mejora de la funcionalidad, rendimiento y fiabilidad. Polvo en BSP con la opción de roscas NPT, asientos PTFE virgen.



Descripción

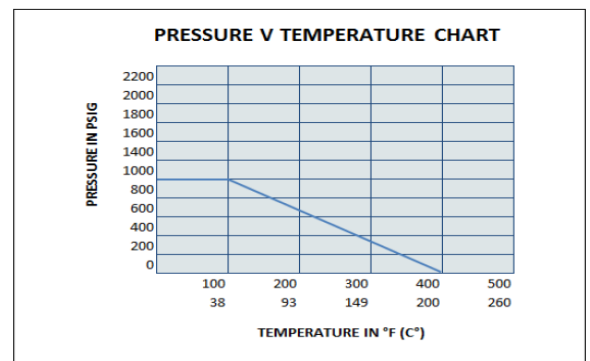
Une vanne à boisseau sphérique montage direct en acier inoxydable est équipé d'un actionneur pneumatique haute performance pour les applications de processus sur -off. Disponible monté directement à la fois à vérin double effet et ressort de rappel, à améliorer la fonctionnalité, la performance et la fiabilité. Vissé BSP avec l'option du NPT, sièges PTFE vierge..



Includes 30% Safety Factor

Dimensions						
Valve	Spring Return	A	B	C	D	W (kg)
1/4"	HP50S	65	144	72	131.6	1.69
3/8"	HP50S	65	144	72	131.6	2.19
1/2"	HP50S	65	144	72	131.6	1.62
3/4"	HP50S	74.6	144	72	139.1	1.76
1"	HP50S	88	144	72	149.6	2.25
1 1/4"	HPD63	102	163	85	168	2.83
1 1/2"	HPD63	1100	163	85	184.5	4.23
2"	HPD66	125	202	85	192.2	6
2 1/2"	HPD75	160.6	210	96	230.7	10.43
3"	HPD88	188	247	108	253.4	14.65

Dimensions						
Valve	Double Acting	A	B	C	D	W (kg)
1/4"	HPD50	65	144	72	131.6	1.8
3/8"	HPD50	65	144	72	131.6	2.39
1/2"	HPD50	65	144	72	131.6	1.73
3/4"	HPD50	65	144	72	139.1	1.87
1"	HPS63	74.6	163	85	163.6	2.97
1 1/4"	HPS63	88	163	85	168	3.38
1 1/2"	HPS66	102	202	85	184.5	5.2
2"	HPS75	1100	210	96	209.2	7
2 1/2"	HPS88	125	247	108	244.4	12.4
3"	HPS100	160.6	268	123	265.4	17.28



Pressure / Temperature Ratings

Max Pressure to 2"	1000 PSI / PN63
Temperature	-20°C to 200°C

Technical - Actuator

Body material	Hard anodised extruded aluminium alloy
End Caps	Die cast aluminium epoxy coated
Spring	High tensile steel
Indicator	Open/Closed
Pinion shaft	Alloy steel nickle plated
Pinion Guides	Self Lubricating Polypropylene + GF
Piston seals	NBR steel

Specification

Pressure range	10 Bar
Double acting	2.5 Bar - 8 Bar
Single acting - Open or Close	2.5 Bar - 8 Bar
Temperature range	minus 20°C - 80°C
Movement	90 Degree adjustable -5-+5 Degree
Lubrication	All moving parts are lubricated
Cycle Life	1,000,000 operations
Approvals	ATEX, CE, PED

Valves Technical and Parts List

Part Name	Material
Body	ASTM A351Gr. CF8M
Cap	ASTM A351Gr. CF8M
Ball	SUS316
Stem	SUS316
Stem Nut	SUS304
Stem Washer	SUS304
Seat	PTFE
Gland Bush	SUS304
Stem Packing	PTFE
Gland Packing	PTFE
Joint Gasket	PTFE
Antistatic Device	SUS304

Specification

Medium Pressure	1000 PSI
Port Connection	Full Bore 1/4" to 3"
Medium Temperature	minus 20° to + 200°
	1,000,000 operations
Approvals	CE

