



Description

A combination of our pneumatic spring return or double acting actuator, fitted to the heavy duty series 88, 3 piece stainless steel reduced bore ball valve, offering high flow rates, strength and reliability. The ball valve has carbon filled (25%) PTFE seats, with options for fire safe seals. The valves are fully maintainable and have the option of different end connections, screwed BSPP, BSPT, NPT Butt Weld (SCH40) or Socket weld ends.

The valve has an ISO mounting pad which enables the actuator to fit directly onto it, thus making the package more compact and cost effective. Various accessories can be fitted onto the actuator such as switch boxes, solenoids and positioners.

Sizes 1/4" to 4" Reduced Bore Full Bore on Request

Mars 88 Pneumatic Actuated Stainless Steel Ball Valve.

- Double Acting or Spring Closed/Open
- Stainless Steel Body Reduced Bore
- End Connections - BSP, NPT, Butt and Socket Weld
- Approved to ATEX
- Carbon Filled PTFE Seats
- 2000 PSI Rated



Description

A Heavy Duty reduced bore high performance ball valve in stainless steel, fitted with a pneumatic actuator that is direct mount. The valve has Carbon filled PTFE seats and the actuator is either single or double acting.
 1/4" to 1" - 2000 psi.
 1 1/4" to 2" - 1500 psi.
 2 1/2" to 4" - 1000 psi.
 Pilot air pressure min 5.5 bar



Beschreibung

in Heavy Duty reduziert Bohrung Hochleistungskugelhahn aus Edelstahl, mit einem pneumatischen Antrieb, der Direktmontage angebracht ist. Das Ventil verfügt über Kohlenstoff gefülltem PTFE Sitze und der Antrieb entweder einfach oder doppelt wirkend.
 1/4 "bis 1" - 2000 psi.
 1 1/4 "bis 2" - 1500 psi.
 2 1/2 "bis 4" - 1000 psi.
 Steuerluftdruck min 5,5 bar



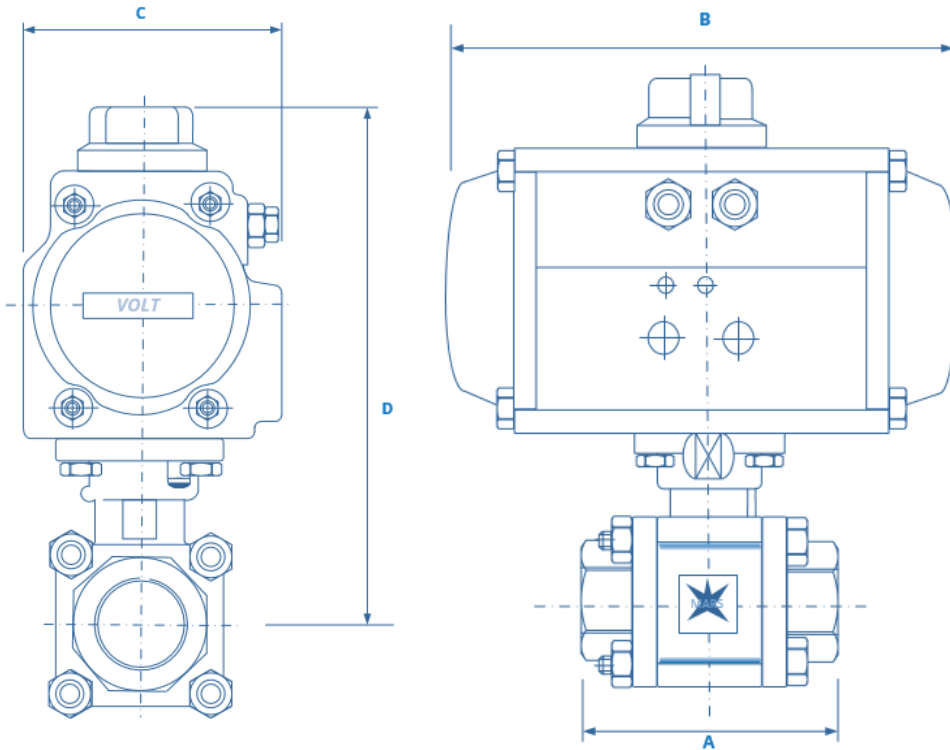
Descripción

Un Heavy Duty reducida diámetro de alta válvula de bola rendimiento en acero inoxidable, equipado con un actuador neumático que es montaje directo. La válvula tiene Carbono llena asientos de PTFE y el actuador es o bien de simple o doble.
 1/4 "a 1" - 2000 psi.
 1 1/4 "a 2" - 1500 psi.
 2 1/2 "a 4" - 1000 psi.
 La presión del aire de pilotaje min 5,5 bar



Descripción

Un Heavy Duty réduite portait haute performance vanne à bille en acier inoxydable, équipé d'un vérin pneumatique qui est à montage direct. La vanne a carbone rempli sièges PTFE et l'actionneur est soit simple ou double effet.
 1/4 "à 1" - 2000 psi.
 1 1/4 "à 2" - 1500 psi.
 2 1/2 "à 4" - 1000 psi.
 Pression d'air de pilotage min 5,5 bar



Double Acting

Spring Return

Dimensions

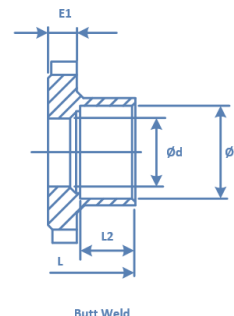
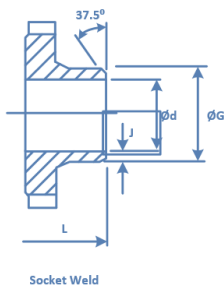
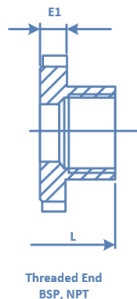
VALVE	Double Acting	A	B	C	D	Weight Kg
1/4"	HP50D	75	144	72	135.6	1.79
3/8"	HP50D	75	144	72	135.6	1.79
1/2"	HP50D	72.5	144	72	135.6	1.79
3/4"	HP50D	85.4	144	72	139.8	2.26
1"	HP50D	105.3	144	72	144.3	3.56
1 1/4"	HP63D	111	163	85	169.6	4.21
1 1/2"	HP63D	127.3	163	85	186	6.3
2"	HP66D	145	202	85	194.7	10.09
2 1/2"	HP75D	185	210	96	232.7	15.23
3"	HP88D	205	247	108	253.7	18.87
4"	HP100D	240	316	123	281.7	32.59

Dimensions

VALVE	Spring Return	A	B	C	D	Weight Kg
1/4"	HP50S	75	144	72	135.6	2.69
3/8"	HP50S	75	144	72	135.6	2.69
1/2"	HP50S	72.5	144	72	135.6	2.69
3/4"	HP50S	85.4	144	72	139.8	3.16
1"	HP63S	105.3	163	85	166.3	4.86
1 1/4"	HP66S	111	202	85	169.6	7.81
1 1/2"	HP75S	127.3	210	96	203	9.13
2"	HP88S	145	247	108	223.7	16.39
2 1/2"	HP100S	185	268	123	256.7	21.53
3"	HP115S	205	316	141	283.7	33.17
4"	HP125S	240	347	151	312.7	43.09

Dimensions

VALVE	L	L2
1/4"	75	75
3/8"	75	75
1/2"	72.5	75
3/4"	85.4	74.8
1"	105.3	89.8
1 1/4"	111	109.4
1 1/2"	127.3	114.4
2"	145	130
2 1/2"	185	145
3"	205	186
4"	240	205



Connection Options
BSP
BSPT
NPT
Socket Weld
Butt Weld

Technical - Actuator

Body material	Hard anodised extruded aluminium alloy
End Caps	Die cast aluminium epoxy coated
Spring	High tensile steel
Indicator	Open/Closed
Pinion shaft	Alloy steel nickle plated
Pinion Guides	Self Lubricating Polypropylene + GF
Piston seals	NBR steel
Specification	
Pressure range	10 Bar
Double acting	2.5 Bar - 8 Bar
Single acting - Open or Close	2.5 Bar - 8 Bar
Temperture range	minus 20°C - 80°C
Movement	90 Degree adjustable -5-+5 Degree
Lubrication	All moving parts are lubricated
Cycle Life	1,000,000 operations
Approvals	ATEX, CE, PED

Series 88 Technical Details

Part Name	Material
Body	CF8M
End Cap	CF8M
Ball	SUS316
Stem	SUS316
Stem Nut	SUS304
Thrust Washer	SUS304
Seat	Reinforced PTFE
Gland Ring	SUS304
Stem Packing	RPTFE
Belleville washer	SUS301
Nut	SUS304
Specification	
Pressure range	1/4" to 4" 2000 PSI (see graph)
Size	1/4" to 4" Reduced Bore (Full Bore on Request)
Temperature range	minus 20° to + 200° (see graph)
Movement	90 deg turn
Cycle life	1,000,000 operations
Approvals	CE Marked, SIL Certified ATEX 94/9/EC PED/97/23/EC



Valve and Actuator



Fitted with Pilot Solenoid

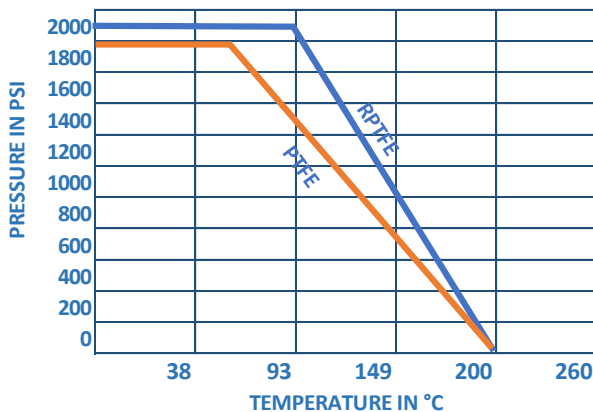


Fitted with Switch Box



Fitted with both Pilot Solenoid and Switch Box

PRESSURE v TEMPERATURE CHART



SIZE	Top Works	
	D	ISO 5211
1/4" - 1/2"	9	F03/F04 F04/F05
3/4"	9	F03/F04 F04/F05
1"	11	F04/F05 F05/F07
1 1/4"	11	F04/F05 F05/F07
1 1/2"	14	F05/F07
2"	14	F05/F07
2 1/2"	17	F07/F10
3"	17	F07/F10
4"	17	F07/F10

SIZE	Break away Torque		Flow rates	
	Full Bore	Red. Bore	Full Bore	Red. Bore
	Nm		Cv U.S. GPM	
1/4"	8	8	8	
3/8"	8	8	8	
1/2"	8	8	15	
3/4"	10	10	34	8
1"	16	16	56	15
1 1/4"	523	23	85	34
1 1/2"	33	33	125	56
2"	47	47	250	200
2 1/2"	61	62	320	250
3"	101	101	580	320
4"	114	1021	1020	580