



## 2 Way Pneumatically Actuated Ball Valve.

- 2 Piece, Full Bore Design
- 1/4" to 2"
- Body A351 CF8M Body & Ball
- PTFE Seats
- Various End Connections
- Double Acting and Single acting
- 1000 PSI (PN63) Rated
- Available Online

The latest Volt addition is the perfect combination of ball valve and pneumatic actuator, meeting today's industry standards. Comprising of a two piece 316 Stainless Steel ball valve, having an investment cast body with PTFE Sealing. The valve offers a high cycle life and has self-adjusting packing glands. The valve is ideally suited for open/closed Pneumatic operation/isolation on various mediums. It fits directly onto a powerful pneumatic actuator, offered in both single and double acting functions with the addition of universal mounting platforms for position feedback, pilot solenoids and gearbox override.

### Design Advantages

#### Blow - out proof stem

*Prevents stem blowing out for maximum safety.*

#### Pneumatic Actuator:

approvals, compliance, certificates  
ATEX 94/9/CE  
DNV Type Approval P-13682  
SIL3  
EC Declaration of conformity  
GOST R - certificate of conformity  
GOST - Rostekhnadzor  
IP67 - Degree of protection

#### Pneumatic Actuator:

180°C  
1000 PSI Working Pressure  
Blow out proof stem design  
ISO 5211 Direct Mount



#### Description

A well engineered 2 piece fully maintainable ball valve, fitted to a powerful Pneumatic spring close/open or double acting actuator. Perfectly sized between valve and actuator with the addition of a 30% safety factor included, offering high flow rates and reliable operation.



#### Beschreibung

Ein gut ausgeführter 2-teiliger, vollständig wartbarer Kugelhahn, der an einem leistungsstarken pneumatischen Federschließ- / doppelwirkenden Stellantrieb angebracht ist. Perfekt dimensioniert zwischen Ventil und Antrieb mit einem zusätzlichen Sicherheitsfaktor von 30%, der hohe Durchflussraten und zuverlässigen Betrieb bietet.



#### Descripción

Una válvula de bola bien mantenida, de 2 piezas y completamente mantenible, montada en un potente actuador neumático de cierre / apertura o doble acción. Perfectamente dimensionado entre válvula y actuador con la adición de un factor de seguridad del 30% incluido, que ofrece altas tasas de flujo y operación confiable.

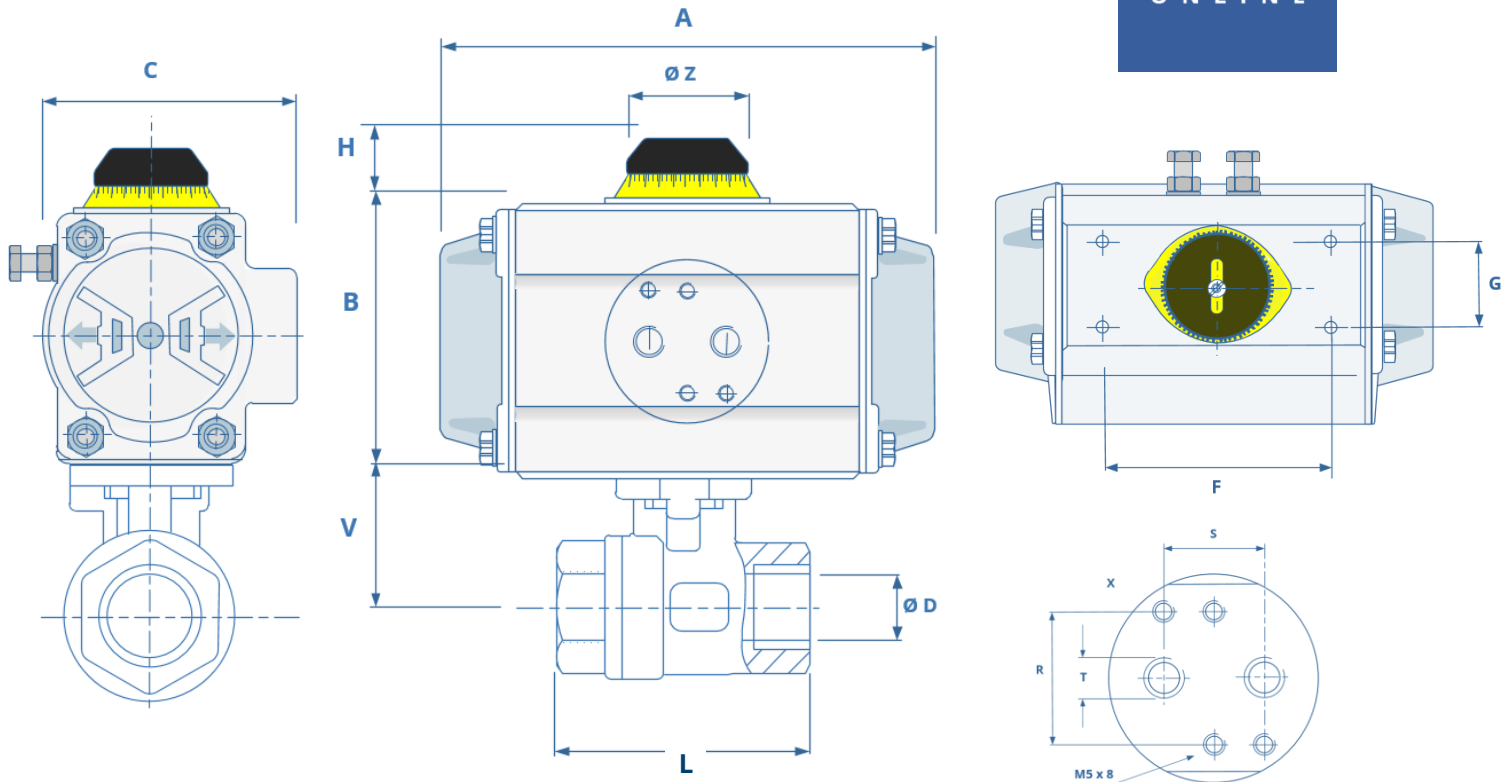


#### Description

Clapet à bille de 2 pièces entièrement entretenu, bien monté, monté sur un puissant actionneur pneumatique à fermeture / ouverture ou à double effet. Parfaitement dimensionné entre la vanne et l'actionneur avec l'ajout d'un facteur de sécurité de 30% inclus, offrant des débits élevés et un fonctionnement fiable.

**Normally Closed by Spring – NC**  
**Normally Open by Spring – NO**  
**Double Acting – Air to Open and Close**

**A STOCKED PRODUCT**



Threaded - Spring Open / or Close - Dimensions mm

Port Connection	Actuator Type	A	B	C	F	G	H	R	S	T	ØZ	L	ØD	V	Weight kg	Threaded	KV m³/h
Size	Model																
1/4"	15	136	69	72	56.5	30	20	32	24	1/8"	37	50	11.6	33.2	1.5	217232	9
3/8"	15	136	69	72	56.5	30	20	32	24	1/8"	37	60	12.7	33.2	1.5	217233	9
1/2"	30	153.5	85	84.5	59	30	20	32	24	1/8"	37	75	15	35	2.2	217234	19
3/4"	60	203.5	102	93	71.5	30	20	32	24	1/8"	37	80	20	41	4	217235	46
1"	60	203.5	102	93	79.5	30	20	32	24	1/8"	37	90	25	44	4.3	217236	72
1 1/4"	100	241	115	106	92	30	20	32	24	1/8"	37	110	31.8	49.5	5.9	217237	105
1 1/2"	150	259	127	118.5	104.5	30	20	32	24	1/4"	37	120	38	55	7.6	217238	170
2"	220	304	145	136	123.5	30	20	32	24	1/4"	37	140	50.8	66.5	13.4	217239	275

Threaded - Double Acting - Dimensions mm

Port Connection	Actuator Type	A	B	C	F	G	H	R	S	T	ØZ	L	ØD	V	Weight kg	Threaded	KV m³/h
Size	Model																
1/4"	15	136	69	72	80	30	20	32	24	1/8"	37	50	11.6	33.2	1.4	217240	9
3/8"	15	136	69	72	80	30	20	32	24	1/8"	37	60	12.7	33.2	1.4	217241	9
1/2"	15	136	69	72	80	30	20	32	24	1/8"	37	75	15	35	1.5	217242	19
3/4"	30	153.5	85	84.5	80	30	20	32	24	1/8"	37	80	20	41	2.4	217243	46
1"	30	153.5	85	84.5	80	30	20	32	24	1/8"	32	90	25	44.5	2.6	217244	72
1 1/4"	60	203.5	102	93	80	30	20	32	24	1/8"	32	110	31.8	49.5	4.2	217245	105
1 1/2"	100	241	115	106	80	30	20	32	24	1/4"	32	120	38	55	5.9	217246	170
2"	100	241	115	106	80	30	20	32	24	1/4"	32	140	50.8	66.5	7.4	217247	275

All information is sourced from our manufacturer's data and is intended for guidance only - ValvesOnline can accept no liability for changes, omissions or errors.

## Pilot Solenoid Ordering Chart

Voltage	Part Number
24 VDC	AP9000-900001
24 VAC	AP9000-900002
110 VAC	AP9000-900003
230 VAC	AP9000-900004

## Switch Box Ordering Chart

Voltage	Part Number
24 VDC	APL210
24 VAC	APL210
110 VAC	APL210
230 VAC	APL210

### APL 2 Standard Switchbox

Offering a reliable Optical and Electrical indication of the valve position at all times. Fitted with 2 x SPDT Limit Switches, offering IP67 protection, Beacon Indicator with choice of alternative colours and 2 x M20 cable entries.

**Options:-** include Proximity Sensors, Stainless Steel Housing, ATEX Exd or Exia Versions.

### Namur Pilot Solenoid Valve

Sized to operate at 6 Bar, IP65 with Cable Plug, Seals NBR and Ports 1/4" BSP Brass. Voltages 24VDC 24/ 110 / 230 V/ 50-60 Hz

### C Function 3/2

Usually used on Spring Return, Normally Closed with manual override, G1/4"Port, Supplied with cable Plug.

### H Function 5/2

Usually used on Double Acting, manual override, G1/4"Port, Supplied with cable Plug.

