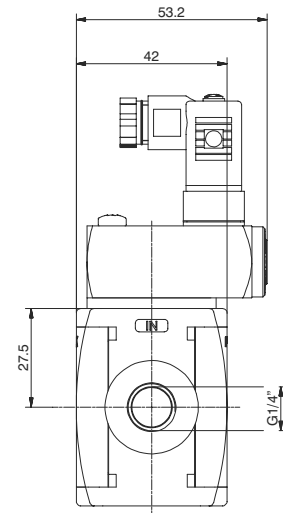
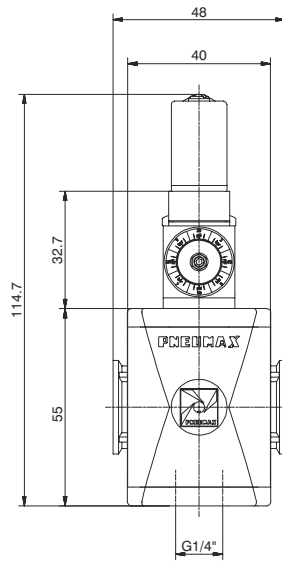
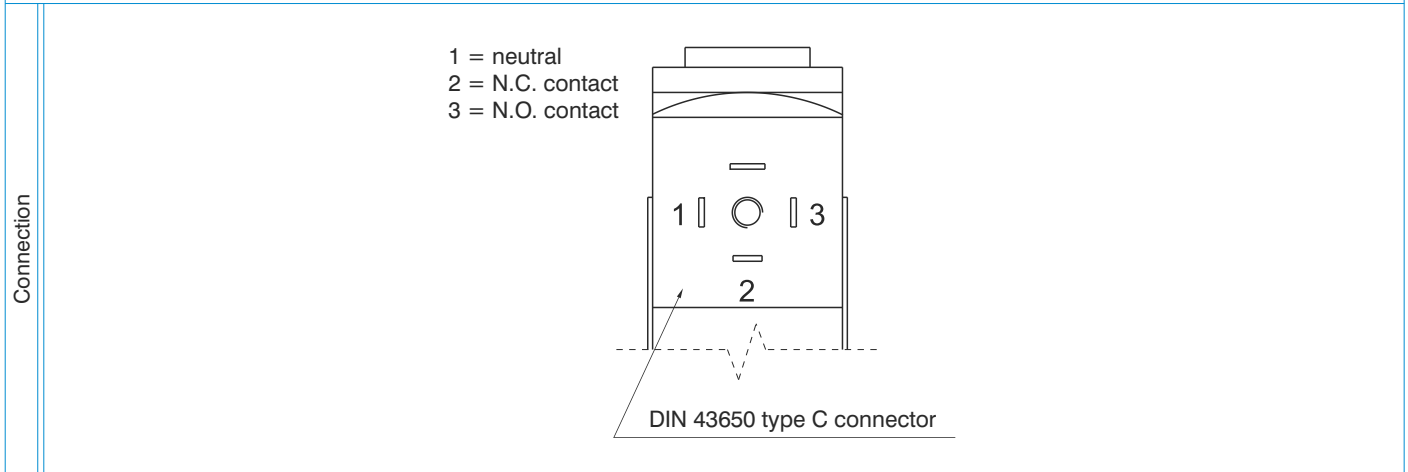


Pressure switch (PP)

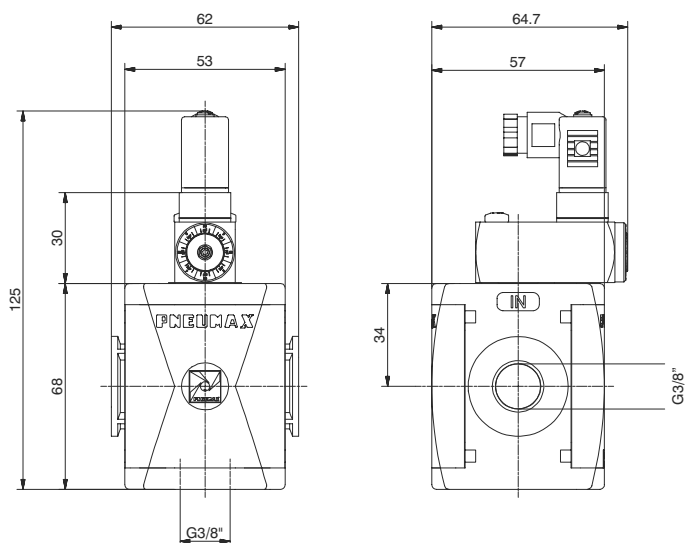


Example: T171BPP : Size 1, Pressure switch with Technopolymer threads, G1/4" connections

Operational characteristics	Technical characteristics		
<ul style="list-style-type: none"> - Built in adjustable pressure switch (2 to 10 bar) with electrical connection. - G 1/4" threaded connection on the bottom face. - The electrical connection is made by mean of a 15 mm connector DIN 43650 type C. The microswitch contact could be normally closed or open (change overswitch). <p>Attention For this product are available only Technopolymer connections</p>	Connections	G 1/4"	Ordering code
	Max. inlet pressure	13 bar	T171BPP
	Working temperature	-5°C +50°C	
	Weight	gr. 138	
	Microswitch capacity	1A	
	Grade of protection (with connector assembled)	IP 65	
	Adjusting range	2 -10 bar	
	Assembly positions	Indifferent	
	Max. fitting torque (with Technopolymer threads)	G1/4" = 9 Nm	
	Microswitch maximum tension	250 VAC	



Pressure switch (PP)

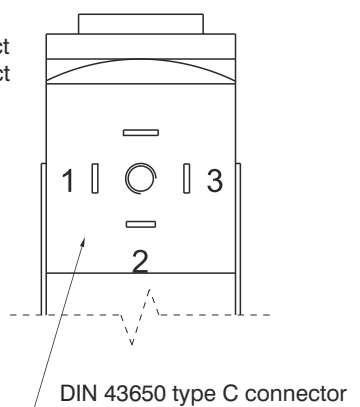


Example: T172BPP : Size 2, Pressure switch with Technopolymer threads, G3/8" connections

Operational characteristics	Technical characteristics		Ordering code
- Built in adjustable pressure switch (2 to 10 bar) with electrical connection. - G 3/8" threaded connection on the bottom face. - The electrical connection is made by mean of a 15 mm connector DIN 43650 type C. The microswitch contact could be normally closed or open (change overswitch).	Connections	G 3/8"	T172BPP
	Max. inlet pressure	13 bar	
Attention For this product are available only Technopolymer connections	Working temperature	-5°C +50°C	
	Weight	gr. 179	
	Microswitch capacity	1A	
	Grade of protection (with connector assembled)	IP 65	
	Adjusting range	2 -10 bar	
	Assembly positions	Indifferent	
	Max. fitting torque (with Technopolymer threads)	G3/8" = 16 Nm	
Microswitch maximum tension	250 VAC		

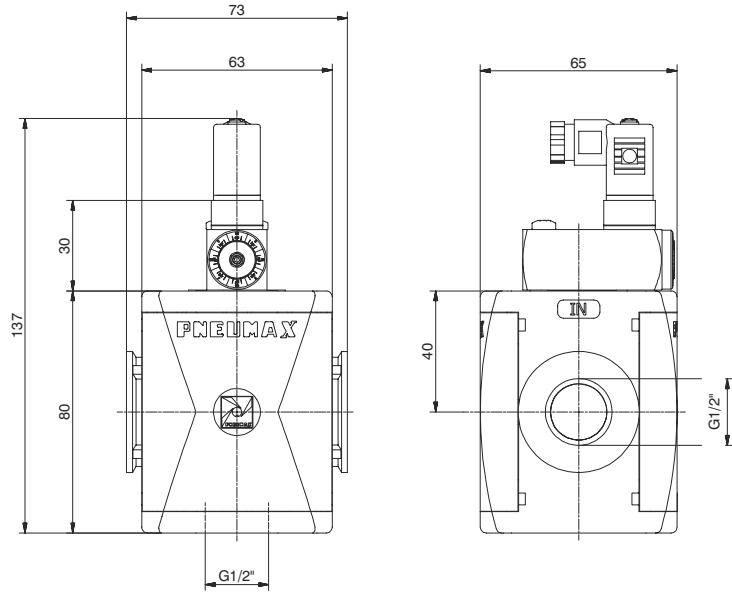
Connection

- 1 = neutral
- 2 = N.C. contact
- 3 = N.O. contact



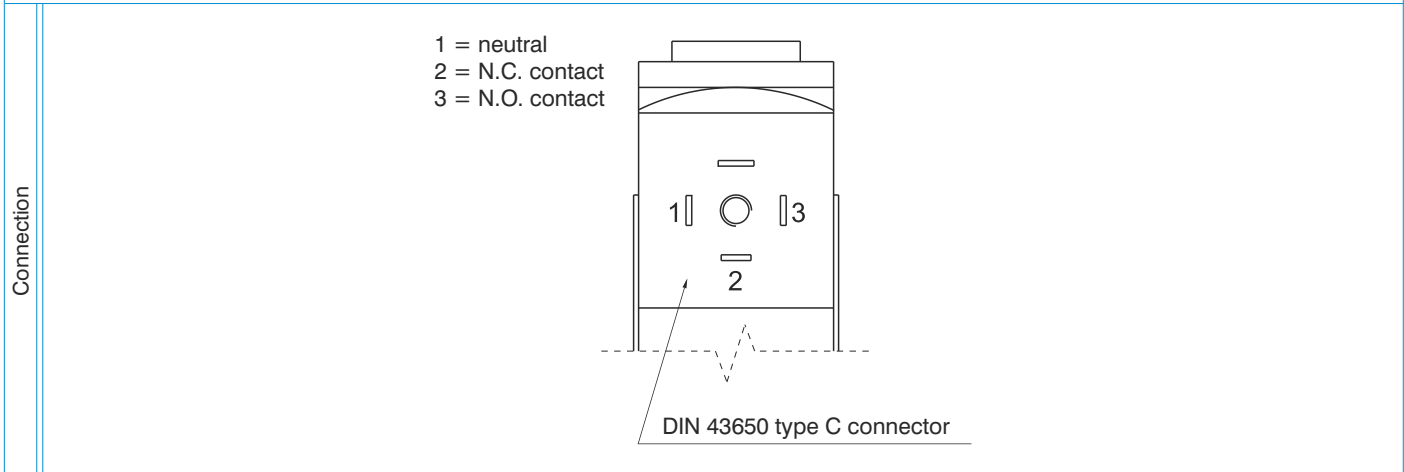
3

Pressure switch (PP)

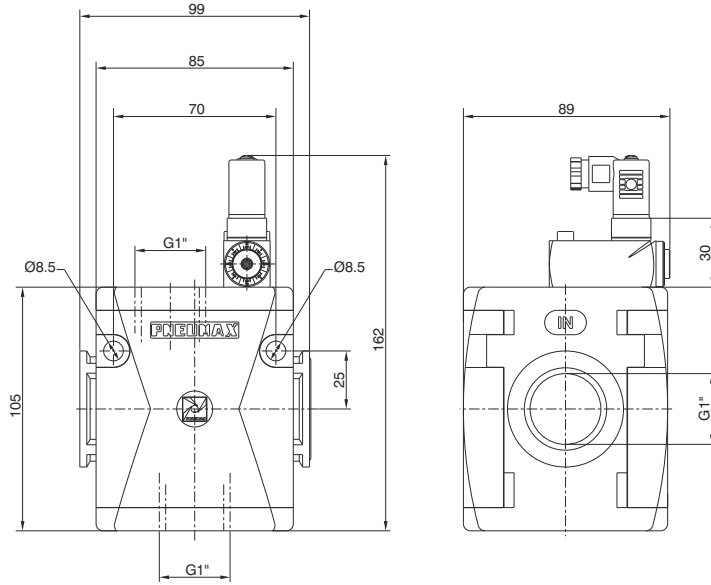


Example: T173BPP : Size 3, Pressure switch with Technopolymer threads, G1/2" connections

Operational characteristics	Technical characteristics		Ordering code
<ul style="list-style-type: none"> - Built in adjustable pressure switch (2 to 10 bar) with electrical connection. - G 1/2" threaded connection on the bottom face. - The electrical connection is made by mean of a 15 mm connector DIN 43650 type C. The microswitch contact could be normally closed or open (change overswitch). <p>Attention For this product are available only Technopolymer connections</p>	Connections	G 1/2"	T173BPP
	Max. inlet pressure	13 bar	
	Working temperature	-5°C +50°C	
	Weight	gr. 235	
	Microswitch capacity	1A	
	Grade of protection (with connector assembled)	IP 65	
	Adjusting range	2-10 bar	
	Assembly positions	Indifferent	
	Max. fitting torque (with Technopolymer threads)	G1/2" = 22 Nm	
	Microswitch maximum tension	250 VAC	



Pressure switch (PP)



Example: N174BPP : Size 4, Pressure switch, G1" connections

Operational characteristics	Technical characteristics		Ordering code
<ul style="list-style-type: none"> - Built in adjustable pressure switch (2 to 10 bar) with electrical connection. - Available with two G1" threaded connections. - The electrical connection is made by mean of a 15 mm connector DIN 43650 type C. The microswitch contact could be normally closed or open (change overswitch). 	Connections	G1"	N174BPP
	Max. inlet pressure	13 bar	
	Working temperature	-5°C +50°C	D FLOW DIRECTION = from left to right W = from right to left
	Weight	800 (gr)	
	Microswitch capacity	1A	
	Grade of protection (with connector assembled)	IP 65	
	Adjusting range	2 -10 bar	
	Assembly positions	Indifferent	
	Microswitch maximum tension	250 VAC	
	Wall fixing screw	M8	

