
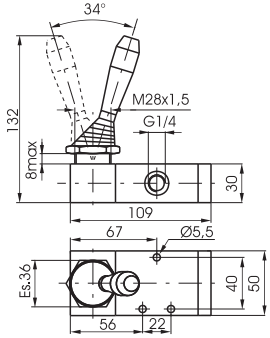

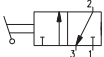
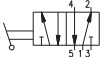

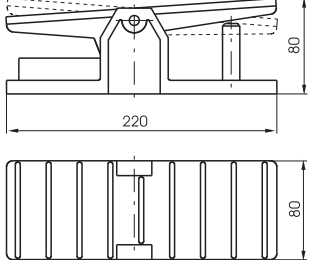
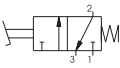
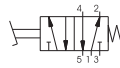

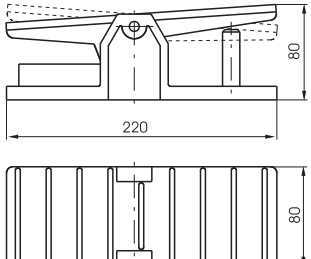
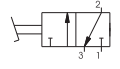
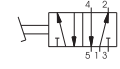


<b>Lever lateral 2 positions</b>	3/2	Ordering code <b>224.1.9/3</b>	5/2	<b>Lever lateral 2 positions</b>
				
		<p><b>TYPE</b></p> <p><b>1</b> 32 = 3 ways 52 = 5 ways</p> <p><b>BUTTON COLOR</b></p> <p><b>3</b> 1 = Red 2 = Black 3 = Green</p>		
Weight gr. 510				
				Weight gr. 595

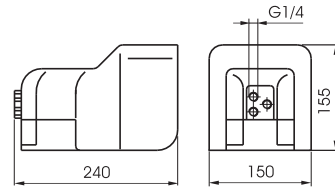
Operational characteristics	Fluid	Max working pressure	Operating Temperature		Flow rate at 6 bar with Δp=1	Orifice size	Working port size
	Filtered and lubricated air	10 bar	Min. -5°C	Max. +70°C	1360 NI/min	mm 8	G 1/4"

<b>Pedal aluminium - Spring</b>							
Ordering code <b>224.1.10.1</b>							
<p><b>TYPE</b></p> <p><b>1</b> 32 = 3 ways 52 = 5 ways</p>							
Weight gr. 1.070 (3/2) Weight gr. 1.155 (3/2)							
Operational characteristics	Fluid	Max working pressure	Operating Temperature		Flow rate at 6 bar with Δp=1	Orifice size	Working port size
	Filtered and lubricated air	10 bar	Min. -5°C	Max. +70°C	1360 NI/min	mm 8	G 1/4"

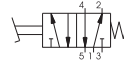
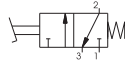
<b>Pedal aluminium 2 positions</b>							
Ordering code <b>224.1.10</b>							
<p><b>TYPE</b></p> <p><b>1</b> 32 = 3 ways 52 = 5 ways</p>							
Weight gr. 1.060 (3/2) Weight gr. 1.145 (3/2)							
Operational characteristics	Fluid	Max working pressure	Operating Temperature		Flow rate at 6 bar with Δp=1	Orifice size	Working port size
	Filtered and lubricated air	10 bar	Min. -5°C	Max. +70°C	1360 NI/min	mm 8	G 1/4"

**Pedal protected - Spring**

Ordering code	
<b>214.10.10.V</b>	
TYPE	
<b>T</b>	32 = 3 ways
	52 = 5 ways
VERSION	
<b>V</b>	1/1 = Standard version
	2/1 = without safety device



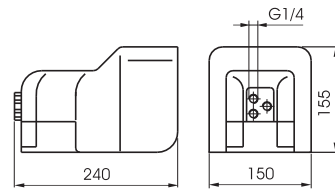
Weight gr. 1.730



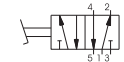
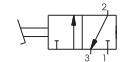
Operational characteristics	Fluid	Max working pressure	Operating Temperature		Flow rate at 6 bar with $\Delta p=1$	Orifice size	Working port size
		Filtered and lubricated air	10 bar	Min. -5°C	Max. +70°C	1360 NI/min	mm 8

**Pedal protected 2 positions**

Ordering code	
<b>214.10.10/1</b>	
TYPE	
<b>T</b>	32 = 3 ways
	52 = 5 ways



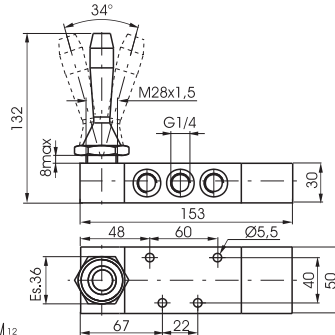
Weight gr. 1.730



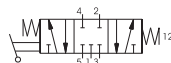
Operational characteristics	Fluid	Max working pressure	Operating Temperature		Flow rate at 6 bar with $\Delta p=1$	Orifice size	Working port size
		Filtered and lubricated air	10 bar	Min. -5°C	Max. +70°C	1360 NI/min	mm 8

**Lever lateral spring 3 positions**

Ordering code	
<b>224.53.F.9.1/C</b>	
FUNCTION	
<b>F</b>	31 = Closed centres
	32 = Open centres
BUTTON COLOR	
<b>C</b>	1 = Red
	2 = Black
	3 = Green



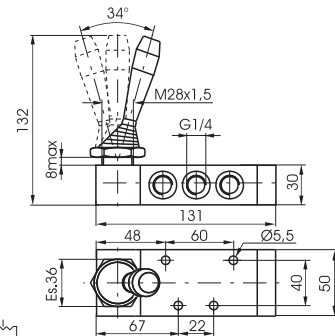
Weight gr. 745



Operational characteristics	Fluid	Max working pressure	Operating Temperature		Flow rate at 6 bar with $\Delta p=1$	Orifice size	Working port size
		Filtered and lubricated air	10 bar	Min. -5°C	Max. +70°C	1280 NI/min	mm 8

**Lever lateral 3 positions**

Ordering code	
<b>224.53.F.9/C</b>	
FUNCTION	
<b>F</b>	31 = Closed centres
	32 = Open centres
BUTTON COLOR	
<b>C</b>	1 = Red
	2 = Black
	3 = Green



Weight gr. 605



Operational characteristics	Fluid	Max working pressure	Operating Temperature		Flow rate at 6 bar with $\Delta p=1$	Orifice size	Working port size
		Filtered and lubricated air	10 bar	Min. -5°C	Max. +70°C	1280 NI/min	mm 8