

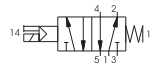
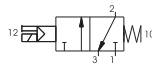
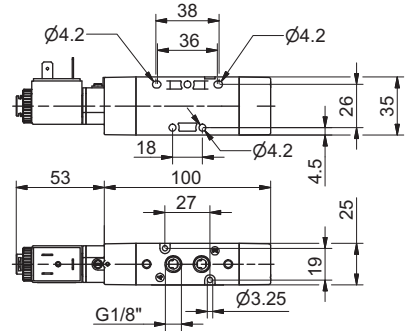
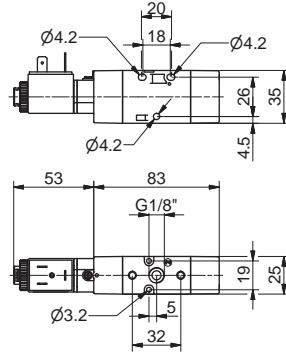
Solenoid - spring

3/2
5/2

Ordering code

T488.T.0.1.V
Self-feeding

- T** TYPE
32 = 3 ways
52 = 5 ways
- VOLTAGE
M9 = 24 V D.C. (rating power 2 W)
M11 = 24 V D.C. (rating power 3,8 W)
- V** M56 = 24 V 50/60 Hz (starting power 9 VA, rating power 6 VA)
M57 = 110 V 50/60 Hz (starting power 9 VA, rating power 6 VA)
M58 = 220 V 50/60 Hz (starting power 9 VA, rating power 6 VA)



Weight gr. 160
Minimum working pressure 2,5 bar

Weight gr. 190
Minimum working pressure 2,5 bar

Operational characteristic

Operational characteristic	Fluid	Max working pressure (bar)	Temperature °C		Flow rate at 6 bar with Δp=1 (NI/min)	Orifice size (mm)	Working ports size
	Filtered and lubricated air	10 bar	Min. -5°C	Max. +50°C	620 NI/min	mm 6	M5

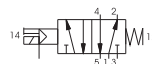
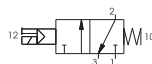
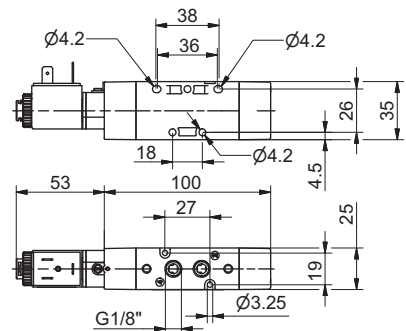
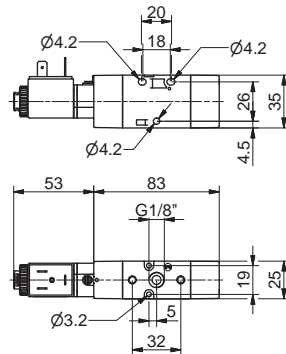
Solenoid - spring

3/2
5/2

Ordering code

T488.T.0.1E.V
External feeding

- T** TYPE
32 = 3 ways
52 = 5 ways
- VOLTAGE
M9 = 24 V D.C. (rating power 2 W)
M11 = 24 V D.C. (rating power 3,8 W)
- V** M56 = 24 V 50/60 Hz (starting power 9 VA, rating power 6 VA)
M57 = 110 V 50/60 Hz (starting power 9 VA, rating power 6 VA)
M58 = 220 V 50/60 Hz (starting power 9 VA, rating power 6 VA)



Weight gr. 160
Minimum working pressure 2,5 bar

Weight gr. 190
Minimum working pressure 2,5 bar

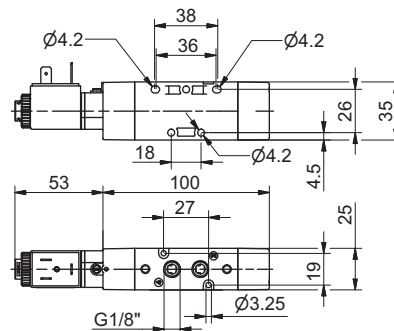
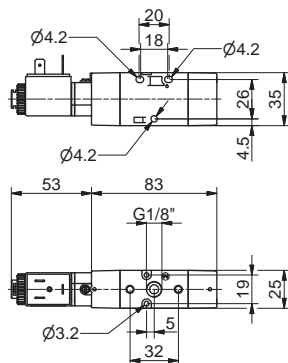
Operational characteristic

Operational characteristic	Fluid	Max working pressure (bar)	Temperature °C		Flow rate at 6 bar with Δp=1 (NI/min)	Orifice size (mm)	Working ports size
	Filtered and lubricated air	10 bar	Min. -5°C	Max. +50°C	620 NI/min	mm 6	M5

Solenoid - Differential

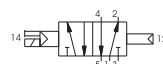
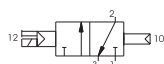
3/2
5/2

Ordering code	
T488.1.0.12.V Self-feeding	
TYPE	
T	32 = 3 ways 52 = 5 ways
VOLTAGE	
	M9 = 24 V D.C. (rating power 2 W)
	M11 = 24 V D.C. (rating power 3,8 W)
V	M56 = 24 V 50/60 Hz (starting power 9 VA, rating power 6 VA)
	M57 = 110 V 50/60 Hz (starting power 9 VA, rating power 6 VA)
	M58 = 220 V 50/60 Hz (starting power 9 VA, rating power 6 VA)



Weight gr. 160
Minimum working pressure 2,5 bar

Weight gr. 190
Minimum working pressure 2,5 bar

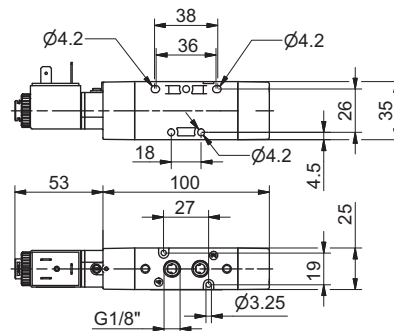
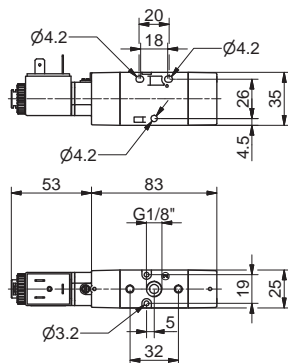


Operational characteristic	Fluid	Max working pressure (bar)	Temperature °C		Flow rate at 6 bar with Δp=1 (NI/min)	Orifice size (mm)	Working ports size
	Filtered and lubricated air	10 bar	Min. -5°C	Max. +50°C	620 NI/min	mm 6	M5

Solenoid - Differential

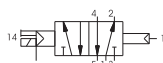
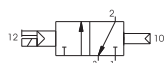
3/2
5/2

Ordering code	
T488.1.0.12E.V External feeding	
TYPE	
T	32 = 3 ways 52 = 5 ways
VOLTAGE	
	M9 = 24 V D.C. (rating power 2 W)
	M11 = 24 V D.C. (rating power 3,8 W)
V	M56 = 24 V 50/60 Hz (starting power 9 VA, rating power 6 VA)
	M57 = 110 V 50/60 Hz (starting power 9 VA, rating power 6 VA)
	M58 = 220 V 50/60 Hz (starting power 9 VA, rating power 6 VA)



Weight gr. 160
Minimum working pressure 2,5 bar

Weight gr. 190
Minimum working pressure 2,5 bar



Operational characteristic	Fluid	Max working pressure (bar)	Temperature °C		Flow rate at 6 bar with Δp=1 (NI/min)	Orifice size (mm)	Working ports size
	Filtered and lubricated air	10 bar	Min. -5°C	Max. +50°C	620 NI/min	mm 6	M5

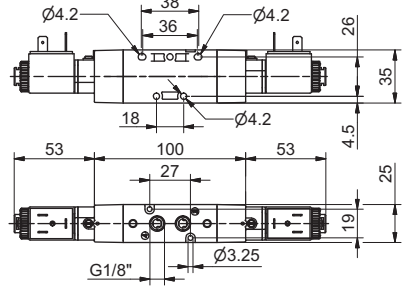
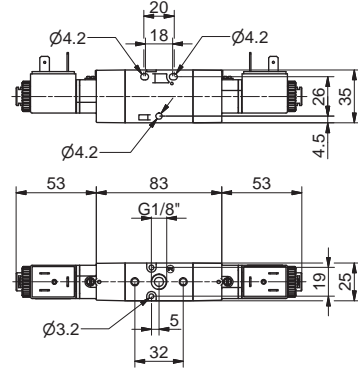
Solenoid - Solenoid

3/2
5/2

Ordering code

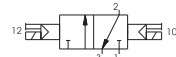
T488.T.0.0.V
Self-feeding

- T** TYPE
- 32 = 3 ways
- 52 = 5 ways
- VOLTAGE
- M9 = 24 V D.C. (rating power 2 W)
- M11 = 24 V D.C. (rating power 3,8 W)
- V** M56 = 24 V 50/60 Hz (starting power 9 VA, rating power 6 VA)
- M57 = 110 V 50/60 Hz (starting power 9 VA, rating power 6 VA)
- M58 = 220 V 50/60 Hz (starting power 9 VA, rating power 6 VA)



Weight gr. 250
Minimum working pressure 2 bar

Weight gr. 290
Minimum working pressure 2 bar



Operational characteristic	Fluid	Max working pressure (bar)	Temperature °C		Flow rate at 6 bar with Δp=1 (NI/min)	Orifice size (mm)	Working ports size
	Filtered and lubricated air	10 bar	Min. -5°C	Max. +50°C	620 NI/min	mm 6	M5

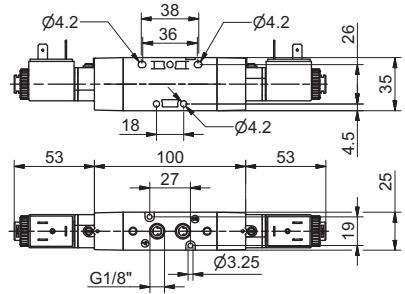
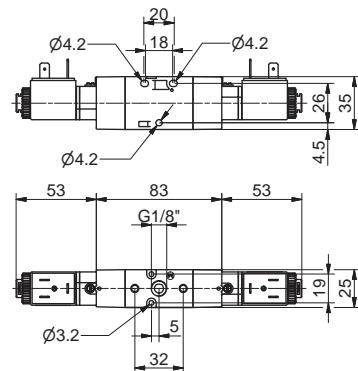
Solenoid - Solenoid

3/2
5/2

Ordering code

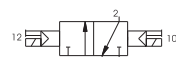
T488.T.0.0E.V
External feeding

- T** TYPE
- 32 = 3 ways
- 52 = 5 ways
- VOLTAGE
- M9 = 24 V D.C. (rating power 2 W)
- M11 = 24 V D.C. (rating power 3,8 W)
- V** M56 = 24 V 50/60 Hz (starting power 9 VA, rating power 6 VA)
- M57 = 110 V 50/60 Hz (starting power 9 VA, rating power 6 VA)
- M58 = 220 V 50/60 Hz (starting power 9 VA, rating power 6 VA)



Weight gr. 250
Minimum working pressure 2 bar

Weight gr. 290
Minimum working pressure 2 bar

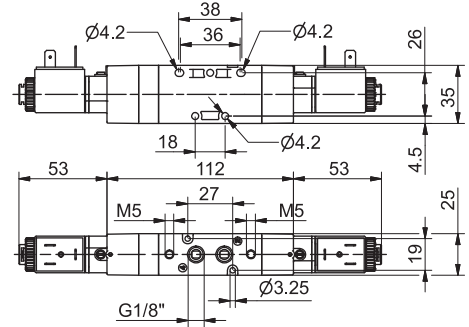


Operational characteristic	Fluid	Max working pressure (bar)	Temperature °C		Flow rate at 6 bar with Δp=1 (NI/min)	Orifice size (mm)	Working ports size
	Filtered and lubricated air	10 bar	Min. -5°C	Max. +50°C	620 NI/min	mm 6	M5

2

Solenoid - Solenoid

Ordering code	
T488.53.F.0.0.V Self-feeding	
FUNCTION	
F	31 = Closed centres
	32 = Opened centres
	33 = Pressured centres
VOLTAGE	
V	M9 = 24 V D.C. (rating power 2 W)
	M11 = 24 V D.C. (rating power 3,8 W)
	M56 = 24 V 50/60 Hz (starting power 9 VA, rating power 6 VA)
	M57 = 110 V 50/60 Hz (starting power 9 VA, rating power 6 VA)
	M58 = 220 V 50/60 Hz (starting power 9 VA, rating power 6 VA)



Weight gr. 330
Minimum working pressure 3 bar

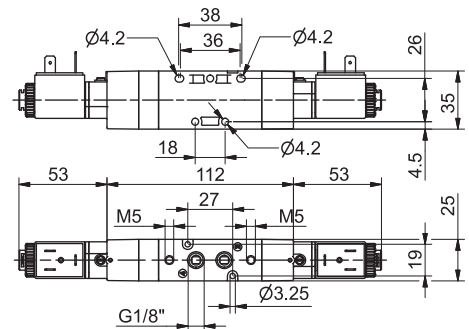


Operational characteristic	Fluid	Max working pressure (bar)	Temperature °C		Flow rate at 6 bar with Δp=1 (NI/min)	Orifice size (mm)	Working ports size
		Filtered and lubricated air	10 bar	Min. -5°C	Max. +50°C	410 NI/min	mm 6

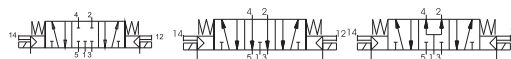


Solenoid - Solenoid

Ordering code	
T488.53.F.0.0.E.V External feeding	
FUNCTION	
F	31 = Closed centres
	32 = Opened centres
	33 = Pressured centres
VOLTAGE	
V	M9 = 24 V D.C. (rating power 2 W)
	M11 = 24 V D.C. (rating power 3,8 W)
	M56 = 24 V 50/60 Hz (starting power 9 VA, rating power 6 VA)
	M57 = 110 V 50/60 Hz (starting power 9 VA, rating power 6 VA)
	M58 = 220 V 50/60 Hz (starting power 9 VA, rating power 6 VA)

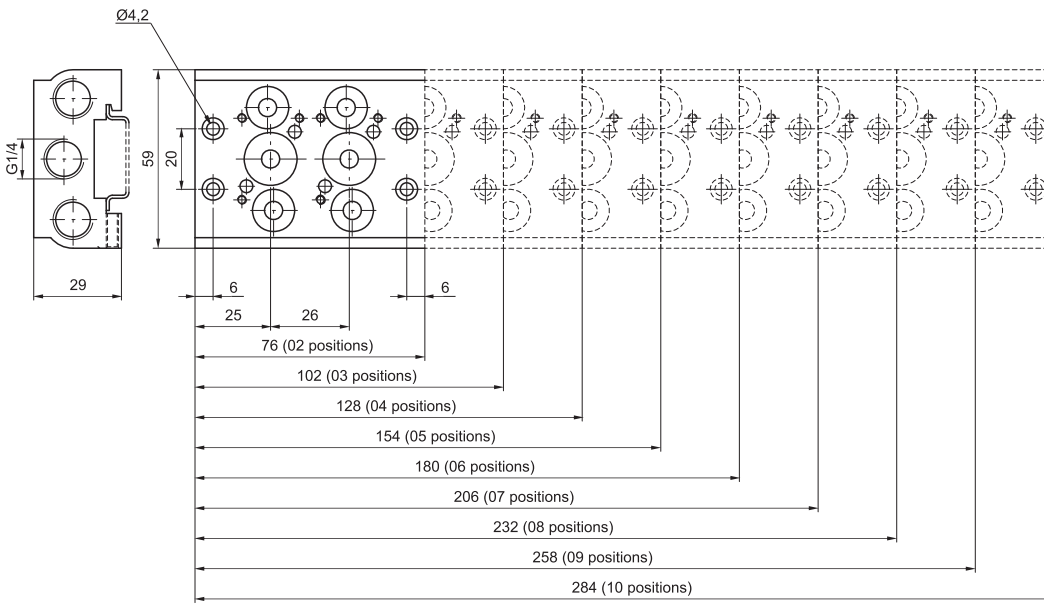


Weight gr. 330
Minimum working pressure 3 bar



Operational characteristic	Fluid	Max working pressure (bar)	Temperature °C		Flow rate at 6 bar with Δp=1 (NI/min)	Orifice size (mm)	Working ports size
		Filtered and lubricated air	10 bar	Min. -5°C	Max. +50°C	410 NI/min	mm 6

Collectors



Ordering code

T488.N

N. POSITIONS	
02	= 2 pos. (Weight 220 gr.)
03	= 3 pos. (Weight 290 gr.)
04	= 4 pos. (Weight 360 gr.)
05	= 5 pos. (Weight 430 gr.)
06	= 6 pos. (Weight 500 gr.)
07	= 7 pos. (Weight 570 gr.)
08	= 8 pos. (Weight 640 gr.)
09	= 9 pos. (Weight 710 gr.)
10	= 10 pos. (Weight 780 gr.)

N

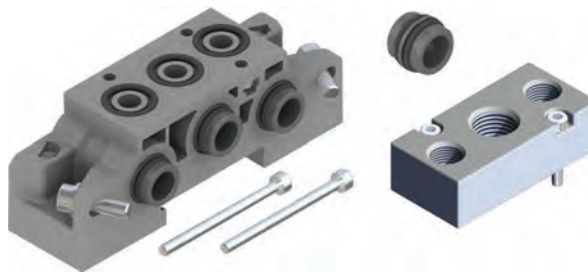
Modular collectors

Ordering code

T488.T

TYPE

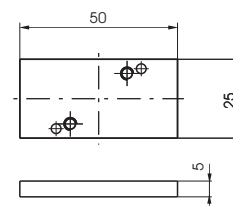
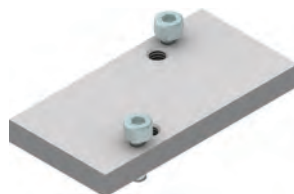
- 01 = Single complete base
- 01K = Complete modular bases (batches of 20 pieces)
- 30K = Hollow bush, complete with O-rings (Nr. 50 pieces)
- 31K = Blank bush, complete with O-rings (Nr. 50 pieces)
- T** 32K = Intermediate air intake with screw (Nr. 5 pieces)
- 33 = Screw to suite solenoid valves (Nr. 50 pieces)
- 34 = Screw for joning bases (Nr. 50 pieces)
- 35 = Washer for screw for joning bases (Nr. 50 pieces)
- 36 = O-ring seal (Nr. 50 pieces)
- 00 = Closing plate (Nr. 1 piece)



Closing plate

Ordering code

T488.00



Weight gr. 25

