

## GUNMETAL SAFETY RELIEF VALVE

## BSPP WRAS APPROVED

## Key features:

- Safety relief valve
- Gunmetal body
- Stainless steel lever and spring
- PTFE seat/seal
- EPDM diaphragm
- Sizes available: ½" to 2"
- Screwed BSP parallel connections
- Working temperature range for the EPDM diaphragm: -50°C to +195°C
- Set pressure ranges: 0.5 to 16 bar max.
- WRAS approved



## DETAILS

A safety relief valve suitable for gases and liquids.

Suitable for use in pressure vessels, mechanical engineering, pump protection, pressure booster systems water/air-side, cooling and chilling systems, and steam and industrial boiler systems.

The relief valve features a gunmetal body, stainless steel lifting lever and spring, PTFE seat/seal, and fitted with an EPDM diaphragm to protect the spring housing.

Available in ½", ¾", 1", 1¼", 1½", and 2" with screwed BSP parallel connections.

Working temperature range for the EPDM diaphragm -50°C to 195°C.

Set pressure set ranges from 0.5 to 16 bar maximum.

ISO 4126-1, PED 2014-68/EU, marine approvals -GL, DNV.

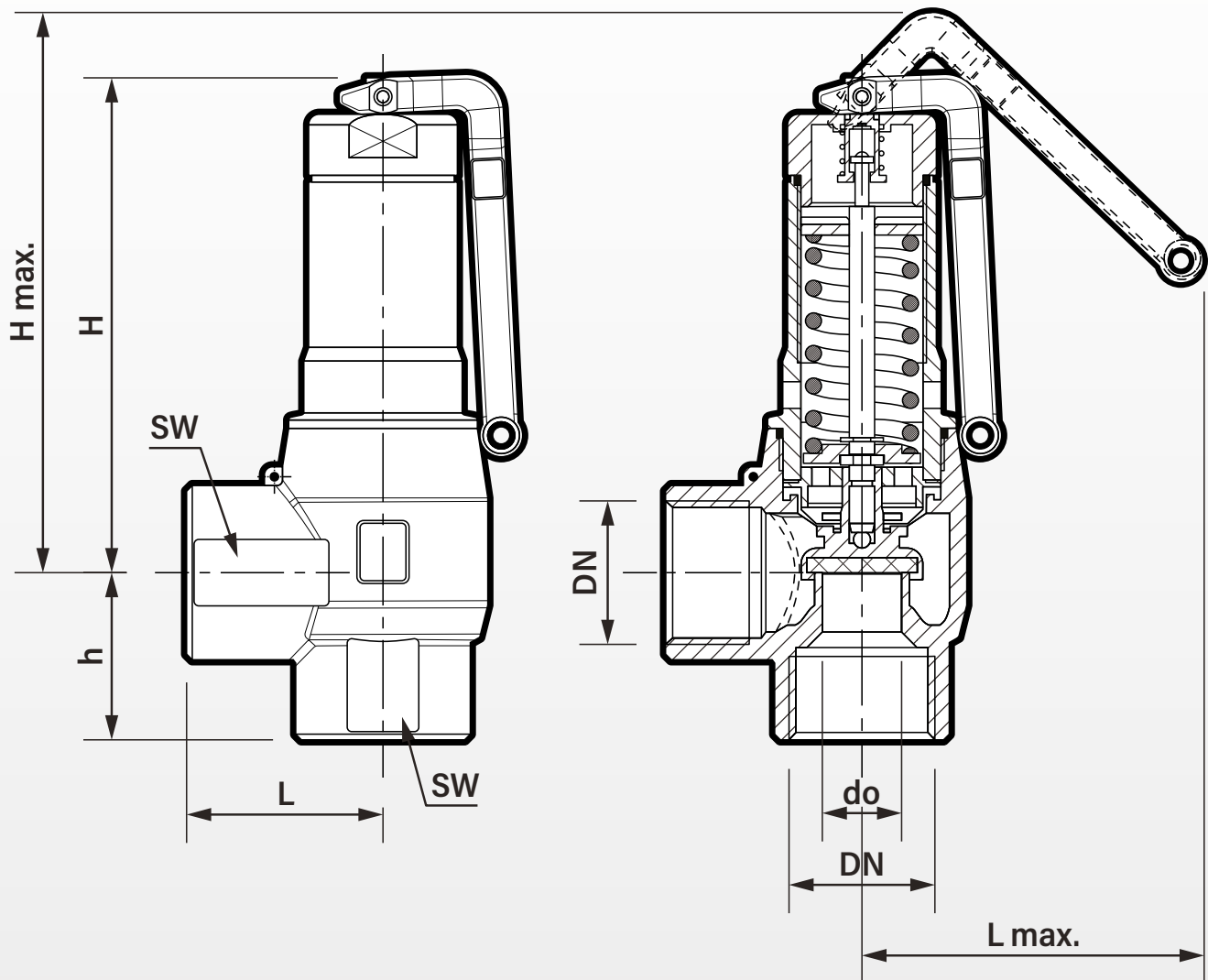
Test certificate to EN10204-3.1 available on request.

WRAS approved.



## GUNMETAL SAFETY RELIEF VALVE

### BSPP WRAS APPROVED



**TABLE 1: DIMENSIONS IN MM**

| DN     | L  | L max. | H   | H max. | h  | SW | do | Weight |
|--------|----|--------|-----|--------|----|----|----|--------|
| 1/2"   | 35 | 63     | 90  | 102    | 28 | 27 | 13 | 0.5 kg |
| 3/4"   | 42 | 75     | 106 | 120    | 36 | 34 | 15 | 0.8 kg |
| 1"     | 45 | 78     | 120 | 133    | 38 | 41 | 18 | 1.1 kg |
| 1 1/4" | 47 | 100    | 150 | 153    | 37 | 50 | 23 | 1.7 kg |
| 1 1/2" | 58 | 140    | 192 | 210    | 45 | 60 | 30 | 3.3 kg |
| 2"     | 68 | 150    | 229 | 252    | 55 | 70 | 39 | 5.8 kg |

## GUNMETAL SAFETY RELIEF VALVE

BSPP WRAS APPROVED

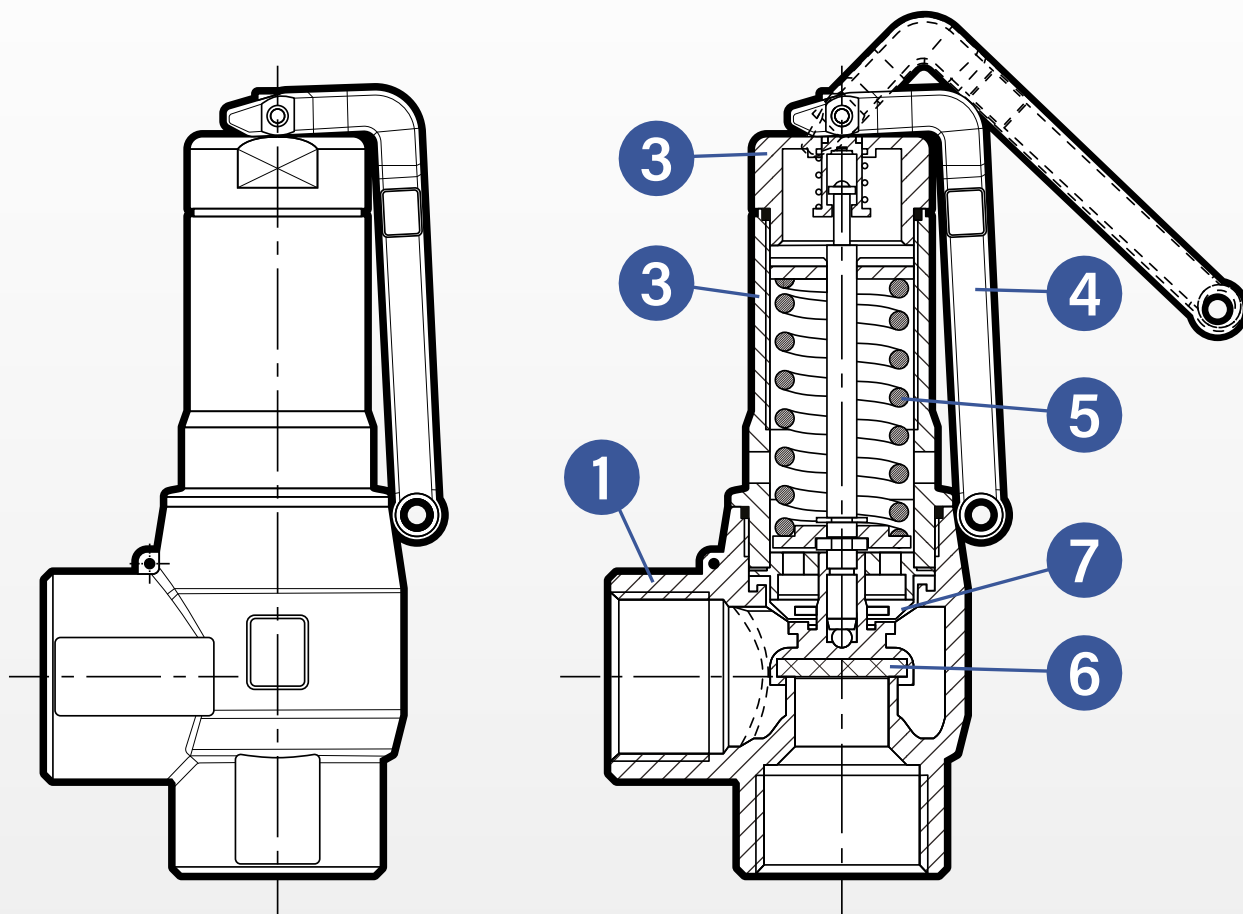


TABLE 2: PARTS AND MATERIALS

| Item | Part Name      | Material              |
|------|----------------|-----------------------|
| 1    | Body           | Gunmetal              |
| 2    | Housing cap    | Brass CC499K/Gunmetal |
| 3    | Spring housing | Brass CC499KGunmetal  |
| 4    | Lifting lever  | Stainless steel CF8M  |
| 5    | Spring         | Stainless steel 302   |
| 6    | Seat - Seal    | PTFE                  |
| 7    | Diaphragm      | EPDM                  |

## GUNMETAL SAFETY RELIEF VALVE

## BSPP WRAS APPROVED

**TABLE 3: DISCHARGE CAPACITIES  
BLOWING OFF RATES AT 10% ABOVE SET PRESSURE**

| DN<br>Bar | ½" Safety Relief Valve |               |               |                        | ¾" Safety Relief Valve |               |               |                        |
|-----------|------------------------|---------------|---------------|------------------------|------------------------|---------------|---------------|------------------------|
|           | Air<br>Nm3/h           | Steam<br>kg/h | Water<br>m3/h | Heating<br>Water<br>kW | Air<br>Nm3/h           | Steam<br>kg/h | Water<br>m3/h | Heating<br>Water<br>kW |
| 0.5       | 76                     | 62            | 2.3           | 38                     | 101                    | 83            | 3.1           | 51                     |
| 1         | 110                    | 88            | 3.2           | 54                     | 147                    | 117           | 4.2           | 71                     |
| 2         | 180                    | 142           | 4.5           | 85                     | 240                    | 189           | 6.0           | 113                    |
| 3         | 248                    | 193           | 5.5           | 114                    | 330                    | 257           | 7.3           | 152                    |
| 4         | 312                    | 242           | 6.4           | 141                    | 416                    | 322           | 8.5           | 188                    |
| 5         | 376                    | 290           | 7.1           | 167                    | 501                    | 386           | 9.5           | 223                    |
| 6         | 440                    | 337           | 7.8           | 193                    | 586                    | 449           | 10.4          | 256                    |
| 7         | 503                    | 385           | 8.4           | 218                    | 670                    | 513           | 11.2          | 290                    |
| 8         | 567                    | 432           | 9.0           | 242                    | 755                    | 576           | 12.0          | 323                    |
| 9         | 631                    | 480           | 9.6           | 267                    | 840                    | 639           | 12.7          | 355                    |
| 10        | 694                    | 527           | 10.1          | 291                    | 925                    | 702           | 13.4          | 387                    |
| 11        | 758                    | 574           | 10.6          | 315                    | 1009                   | 765           | 14.1          | 419                    |
| 12        | 822                    | 622           | 11.1          | 338                    | 1094                   | 828           | 14.7          | 450                    |
| 13        | 885                    | 669           | 11.5          | 361                    | 1179                   | 891           | 15.3          | 481                    |
| 14        | 949                    | 716           | 11.9          | 384                    | 1264                   | 954           | 15.9          | 511                    |
| 15        | 1013                   | 764           | 12.4          | 407                    | 1348                   | 1017          | 16.5          | 542                    |
| 16        | 1076                   | 811           | 12.8          | 429                    | 1433                   | 1080          | 17.0          | 571                    |

## GUNMETAL SAFETY RELIEF VALVE

## BSPP WRAS APPROVED

**TABLE 4: DISCHARGE CAPACITIES  
BLOWING OFF RATES AT 10% ABOVE SET PRESSURE**

| DN<br>Bar | 1" Safety Relief Valve |               |               |                        | 1¼" Safety Relief Valve |               |               |                        |
|-----------|------------------------|---------------|---------------|------------------------|-------------------------|---------------|---------------|------------------------|
|           | Air<br>Nm3/h           | Steam<br>kg/h | Water<br>m3/h | Heating<br>Water<br>kW | Air<br>Nm3/h            | Steam<br>kg/h | Water<br>m3/h | Heating<br>Water<br>kW |
| 0.5       | 143                    | 117           | 4.3           | 72                     | 234                     | 191           | 7.0           | 118                    |
| 1         | 207                    | 165           | 5.8           | 101                    | 338                     | 269           | 9.5           | 164                    |
| 2         | 340                    | 268           | 8.2           | 160                    | 556                     | 437           | 13.5          | 262                    |
| 3         | 468                    | 365           | 10.1          | 215                    | 764                     | 595           | 16.5          | 352                    |
| 4         | 592                    | 458           | 11.7          | 267                    | 966                     | 748           | 19.1          | 436                    |
| 5         | 712                    | 549           | 13.1          | 316                    | 1163                    | 896           | 21.3          | 517                    |
| 6         | 833                    | 639           | 14.3          | 365                    | 1359                    | 1043          | 23.4          | 595                    |
| 7         | 953                    | 729           | 15.5          | 412                    | 1556                    | 1190          | 25.2          | 673                    |
| 8         | 1074                   | 819           | 16.5          | 459                    | 1753                    | 1337          | 27.0          | 749                    |
| 9         | 1194                   | 908           | 17.5          | 505                    | 1950                    | 1483          | 28.6          | 825                    |
| 10        | 1315                   | 998           | 18.5          | 550                    | 2147                    | 1629          | 30.2          | 899                    |
| 11        | 1435                   | 1088          | 19.4          | 595                    | 2343                    | 1776          | 31.7          | 972                    |
| 12        | 1556                   | 1177          | 20.2          | 640                    | 2540                    | 1922          | 33.1          | 1045                   |
| 13        | 1676                   | 1266          | 21.1          | 684                    | 2737                    | 2068          | 34.4          | 1116                   |
| 14        | 1797                   | 1356          | 21.9          | 727                    | 2934                    | 2214          | 35.7          | 1187                   |
| 15        | 1917                   | 1446          | 22.6          | 770                    | 3130                    | 2361          | 37.0          | 1257                   |
| 16        | 2038                   | 1535          | 23.4          | 813                    | 3327                    | 2507          | 38.2          | 1327                   |

## GUNMETAL SAFETY RELIEF VALVE

## BSPP WRAS APPROVED

**TABLE 5: DISCHARGE CAPACITIES  
BLOWING OFF RATES AT 10% ABOVE SET PRESSURE**

| DN<br>Bar | 1½" Safety Relief Valve |               |               |                        | 2" Safety Relief Valve |               |               |                        |
|-----------|-------------------------|---------------|---------------|------------------------|------------------------|---------------|---------------|------------------------|
|           | Air<br>Nm3/h            | Steam<br>kg/h | Water<br>m3/h | Heating<br>Water<br>kW | Air<br>Nm3/h           | Steam<br>kg/h | Water<br>m3/h | Heating<br>Water<br>kW |
| 0.5       | 338                     | 276           | 10.5          | 170                    | 571                    | 466           | 17.7          | 288                    |
| 1         | 491                     | 392           | 14.3          | 239                    | 831                    | 662           | 24.1          | 404                    |
| 2         | 816                     | 642           | 20.2          | 385                    | 1379                   | 1085          | 34.2          | 650                    |
| 3         | 1128                    | 879           | 24.8          | 520                    | 1907                   | 1486          | 41.9          | 878                    |
| 4         | 1430                    | 1107          | 28.7          | 646                    | 2417                   | 1872          | 48.4          | 1092                   |
| 5         | 1721                    | 1326          | 32.1          | 765                    | 2909                   | 2241          | 54.2          | 1293                   |
| 6         | 2013                    | 1544          | 35.1          | 882                    | 3402                   | 2609          | 59.4          | 1490                   |
| 7         | 2304                    | 1762          | 37.9          | 996                    | 3894                   | 2977          | 64.1          | 1684                   |
| 8         | 2595                    | 1979          | 40.6          | 1109                   | 4386                   | 3344          | 68.6          | 1875                   |
| 9         | 2887                    | 2196          | 43.0          | 1221                   | 4879                   | 3711          | 72.7          | 2063                   |
| 10        | 3178                    | 2412          | 45.4          | 1331                   | 5371                   | 4077          | 76.7          | 2249                   |
| 11        | 3469                    | 2629          | 47.6          | 1439                   | 5863                   | 4443          | 80.4          | 2433                   |
| 12        | 3761                    | 2845          | 49.7          | 1547                   | 6356                   | 4809          | 84.0          | 2614                   |
| 13        | 4052                    | 3061          | 51.7          | 1652                   | 6848                   | 5174          | 87.4          | 2793                   |
| 14        | 4343                    | 3278          | 53.7          | 1758                   | 7340                   | 5541          | 90.7          | 2970                   |
| 15        | 4635                    | 3495          | 55.6          | 1862                   | 7833                   | 5907          | 93.9          | 3146                   |
| 16        | 4926                    | 3711          | 57.4          | 1964                   | 8325                   | 6272          | 97.0          | 3319                   |

## GUNMETAL SAFETY RELIEF VALVE

## BSPP WRAS APPROVED

## TABLE 6: PART NUMBERS

## ½" SAFETY RELIEF VALVE

| Pressure Setting | SKU           |
|------------------|---------------|
| 0.5-1.0 bar      | RV4315-100101 |
| 1.0-1.5 bar      | RV4315-100102 |
| 1.5-2.0 bar      | RV4315-100103 |
| 2.0-2.5 bar      | RV4315-100104 |
| 2.5-3.2 bar      | RV4315-100105 |
| 3.2-4.5 bar      | RV4315-100106 |
| 4.5-6.0 bar      | RV4315-100107 |
| 6.0-8.0 bar      | RV4315-100108 |
| 8.0-10.5 bar     | RV4315-100109 |
| 10.5-13.5 bar    | RV4315-100110 |
| 13.5-16 bar      | RV4315-100111 |

## TABLE 7: PART NUMBERS

## ¾" SAFETY RELIEF VALVE

| Pressure Setting | SKU           |
|------------------|---------------|
| 0.5-1.0 bar      | RV4315-100112 |
| 1.0-1.5 bar      | RV4315-100113 |
| 1.5-2.0 bar      | RV4315-100114 |
| 2.0-2.5 bar      | RV4315-100115 |
| 2.5-3.0 bar      | RV4315-100116 |
| 3.0-4.2 bar      | RV4315-100117 |
| 4.2-6.0 bar      | RV4315-100118 |
| 6.0-8.5 bar      | RV4315-100119 |
| 8.5-11 bar       | RV4315-100120 |
| 11-13.5 bar      | RV4315-100121 |
| 13.5-16 bar      | RV4315-100122 |

## GUNMETAL SAFETY RELIEF VALVE

## BSPP WRAS APPROVED

TABLE 8: PART NUMBERS

## 1" SAFETY RELIEF VALVE

| Pressure Setting | SKU           |
|------------------|---------------|
| 0.5-1.0 bar      | RV4315-100123 |
| 1.0-1.5 bar      | RV4315-100124 |
| 1.5-2.0 bar      | RV4315-100125 |
| 2.0-2.5 bar      | RV4315-100126 |
| 2.5-3.2 bar      | RV4315-100127 |
| 3.2-4.5 bar      | RV4315-100128 |
| 4.5-7.5 bar      | RV4315-100129 |
| 7.5-11.5 bar     | RV4315-100130 |
| 11.5-16 bar      | RV4315-100131 |

TABLE 9: PART NUMBERS

## 1¼" SAFETY RELIEF VALVE

| Pressure Setting | SKU           |
|------------------|---------------|
| 0.5-1.0 bar      | RV4315-100132 |
| 1.0-1.5 bar      | RV4315-100133 |
| 1.5-2.0 bar      | RV4315-100134 |
| 2.0-2.5 bar      | RV4315-100135 |
| 2.5-3.2 bar      | RV4315-100136 |
| 3.2-4 bar        | RV4315-100137 |
| 4-5 bar          | RV4315-100138 |
| 5-6 bar          | RV4315-100139 |
| 6-7.5 bar        | RV4315-100140 |
| 7.5-9 bar        | RV4315-100141 |
| 9-12.3 bar       | RV4315-100142 |
| 12.3-16 bar      | RV4315-100143 |



## GUNMETAL SAFETY RELIEF VALVE

## BSPP WRAS APPROVED

TABLE 10: PART NUMBERS

## 1½" SAFETY RELIEF VALVE

| Pressure Setting | SKU           |
|------------------|---------------|
| 0.5-1 bar        | RV4315-100144 |
| 1-1.5 bar        | RV4315-100145 |
| 1.5-2.0 bar      | RV4315-100146 |
| 2.0-2.5 bar      | RV4315-100147 |
| 2.5-3.5 bar      | RV4315-100148 |
| 3.5-5 bar        | RV4315-100149 |
| 5-7 bar          | RV4315-100150 |
| 7-9 bar          | RV4315-100151 |
| 9-11.7 bar       | RV4315-100152 |
| 11.7-14 bar      | RV4315-100153 |
| 14-16 bar        | RV4315-100154 |

TABLE 11: PART NUMBERS

## 2" SAFETY RELIEF VALVE

| Pressure Setting | SKU           |
|------------------|---------------|
| 0.5-1.0 bar      | RV4315-100155 |
| 1.0-1.5 bar      | RV4315-100156 |
| 1.5-2.3 bar      | RV4315-100157 |
| 2.3-3.5 bar      | RV4315-100158 |
| 3.5-5 bar        | RV4315-100159 |
| 5-7 bar          | RV4315-100160 |
| 7-9 bar          | RV4315-100161 |
| 9-12.5 bar       | RV4315-100162 |
| 12.5-16 bar      | RV4315-100163 |