



## Flanged Sight Glass in Stainless Steel. Suitable for Steam. PN16, ANSI 150/300

- Designed & Manufactured in the UK
- Flanged PN16, ANSI 150/300
- Borosilicate Glass
- Body Stainless Steel 316
- Fully Maintainable

### > Description

The sight glass indicator is offered in 316 stainless steel, flanged to either PN16, ANSI150 and ANSI300. All units are rated to PN16 with options on request of PN25 and PN40 ratings. This sight glass is suitable for steam and has been adapted by fitting a high temperature Borosilicate toughened glass, which is held in place by a cover and screws, sealed with PTFE gaskets. For ease of maintenance, where the glasses can be removed or replaced.

This straight through sight glass is ideal for visually checking the presence, colour and condition of the media.

The sight glass has a plain spout cast into the body and is used to check for the presence of liquid where there is an intermittent flow, partially filled lines or entrained air. The unit can be fitted vertically or horizontally in a line. The integral drip lip makes it ideal for leak detection.

### > Quality

Sight glasses are manufactured to the highest quality. The indicators are fully PED compliant and CE marked where required. TUV are the external auditors for pressure equipment directive. Full material traceability is maintained, material certificates and pressure test certificates are supplied on request.



### Description

This sight glass indicator is offered in 316 stainless steel with options of flange drillings to suit PN16, ANSI150 or ANSI300. all are rated PN16 , however higher pressures (PN25 and PN40) can be ordered on request. Suitable for steam and fitted with Borosilicate toughened glass makes it ideal for leak detection, flow and condition of media.



### Beschreibung

Diese Schauglasanzeige wird in Edelstahl 316 mit optionalen Flanschbohrungen für PN16, ANSI150 oder ANSI300 angeboten. Alle sind mit PN16 bewertet, höhere Drücke (PN25 und PN40) können jedoch auf Anfrage bestellt werden. Geeignet für Dampf und mit gehärtetem Borosilikatglas ausgestattet, ist es ideal für die Lecksuche, den Durchfluss und den Zustand von Medien.



### Descripción

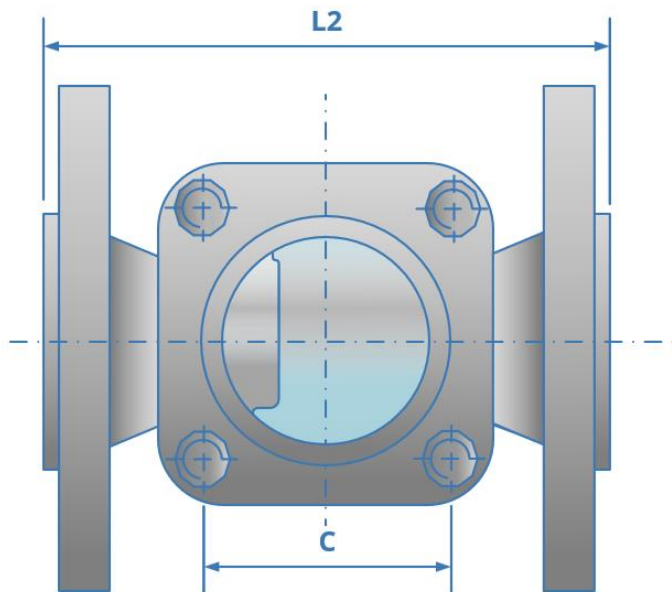
Este indicador de mirilla se ofrece en acero inoxidable 316 con opciones de perforaciones de brida para adaptarse a PN16, ANSI150 o ANSI300. todos tienen clasificación PN16, sin embargo, se pueden pedir presiones más altas (PN25 y PN40) a pedido. Adecuado para vapor y equipado con vidrio templado de borosilicato, lo hace ideal para la detección de fugas, el flujo y el estado de los medios.



### Description

Cet indicateur à vitre est proposé en acier inoxydable 316 avec des options de perçages de bride pour s'adapter à PN16, ANSI150 ou ANSI300. tous sont classés PN16 , cependant des pressions plus élevées (PN25 et PN40) peuvent être commandées sur demande. Adapté à la vapeur et équipé d'un verre trempé borosilicate, il est idéal pour la détection des fuites, le débit et l'état des fluides.

Stainless Steel Version. PN16, ANSI150 and ANSI300



DIMENSIONS			
Nominal Bors	Size	L2	Clear View C
15/20mm	1/2"/3/4"	130	42
25mm	1"	140	48
40mm	1 1/2"	180	62
50mm	2"	220	77
80mm	3"	260	100
100mm	4"	260	100
150mm	6"	360	150
200mm	8"	460	200
250mm	10"	460	200

## > Stainless Steel and Carbon Steel Body Options

### Materials of Construction

#### Cover

Powder coated mild steel grade S355J2+N  
Stainless steel option ASTM A351 CF8M (316)

#### Internal Gasket

PTFE

#### External Gasket

Klingersil C4400

#### Edge Protector

Klingersil C4400

#### Fasteners

A2 Stainless steel

#### Flap

316 Stainless steel

### Description

#### Body

Stainless Steel BS 1504 316 C16

Carbon Steel BS 1504 161 GR480

Option for Gunmetal on request

#### Glass

Toughened borosilicate glass to DIN 7080 (16 bar up to 6")  
for 8" and 10" Max. pressure 8 bar max

All information is sourced from our manufacturer's data and is intended for guidance only - Valves Online can accept no liability for changes, omissions or errors.

