



2 Piece Heavy Duty, Direct Mount Stainless Steel Ball Valve.

- Direct Mount to ISO 5211
- High Temperature Seats – TFM 4215
- BSPP End Connections
- Supplied with Lockable Lever
- ATEX Approved
- Anti-Static Device for Ball, Stem & Body
- 2000 PSI
- Low Torque High Flow

Description

A two piece full bore ball valve, Heavy duty ASTM A351 CF8M 316 Stainless Steel construction, 316 Trim. . BSP Ends - BSPP ISO 228/1 TFM 4215® Ball Seats with Grafoil Body and Stem Seals. Ta-Luft self adjusting stem. ISO 5211 Direct Mounting Pad and Square Stem for automation. Anti-Static devices for Ball-Stem-Body. ATEX approved. NACE MR-0175 compliant. A cost effective valve suitable for Steam and High Temperature media. Class 800 (2000 psi) pressure rated 1/2" - 1" Class 600 (1500 psi) 1 1/4" - 3" Silicone Free. Valve suitable for use on Oil based Paints.

ISO 5211 Mounting Top for easy Actuation
Full Bore with BSPP ISO 228/1 Threads
Approved to ATEX
NACE MR-0175 compliant
2000 PSI Rated to 1" and 1500PSI to 3"
A cost effective valve suitable for Steam and High Temperature media.

1/2" - 1" Class 800 (2000 PSI)
1 1/4" - 3" Class 600 (1500 PSI)



Description

2 piece direct mount heavy duty ball valve in 316 CF8M stainless steel with TFM 4215 Ball Seats and Grafoil body/stem seals. Anti-Static devices for Ball-Stem-Body. ATEX approved. 2000 psi/g pressure rated up to 1" & 1500 PSI to 3". Screwed BSPP



Beschreibung

2-teiliger, direkt montierter Hochleistungskugelhahn aus Edelstahl 316 CF8M mit TFM 4215-Kugelsitzen und Grafoil-Körper-/Spindeldichtungen. Antistatik-Geräte für Ball-Stem-Body. ATEX-zugelassen. 2000 psi/g Druck bis 1" und 1500 PSI bis 3". Geschraubtes BSPP



Descripción

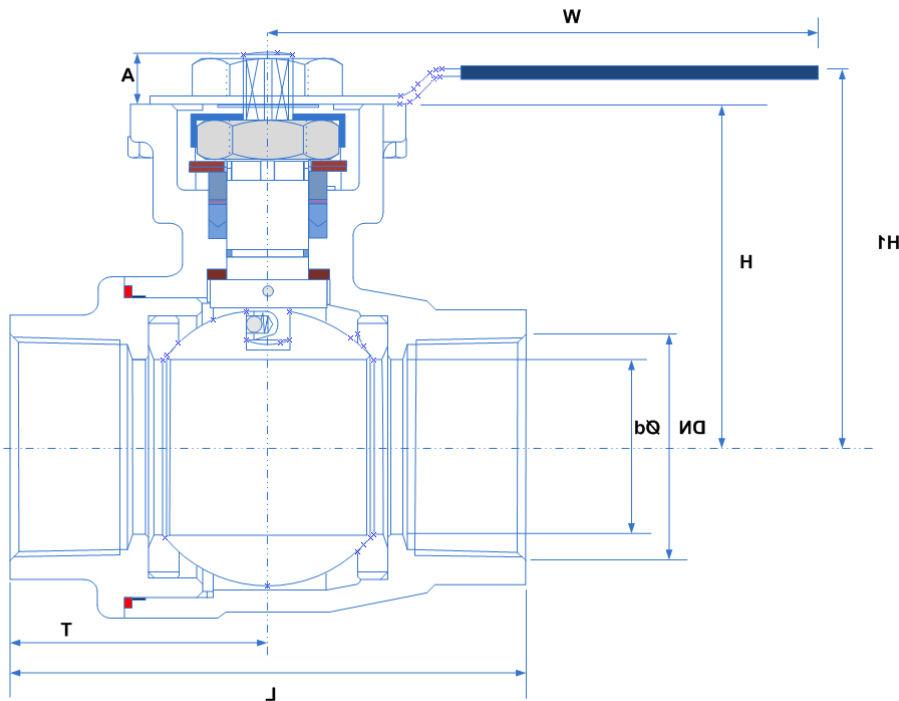
Válvula de bola para servicio pesado de montaje directo de 2 piezas en acero inoxidable 316 CF8M con asientos de bola TFM 4215 y sellos de cuerpo / vástago Grafoil. Dispositivos antiestáticos para cuerpo de bola. Aprobado por ATEX. 2000 psi / g de presión nominal de hasta 1" y 1500 PSI a 3". BSPP atornillado



Description

Vanne à boisseau sphérique robuste à montage direct en 2 pièces en acier inoxydable 316 CF8M avec sièges de bille TFM 4215 et joints corps/tige Grafoil. Dispositifs antistatiques pour Ball-Stem-Body. Homologué ATEX. Pression nominale de 2000 psi/g jusqu'à 1" et 1500 PSI jusqu'à 3". BSPP vissé

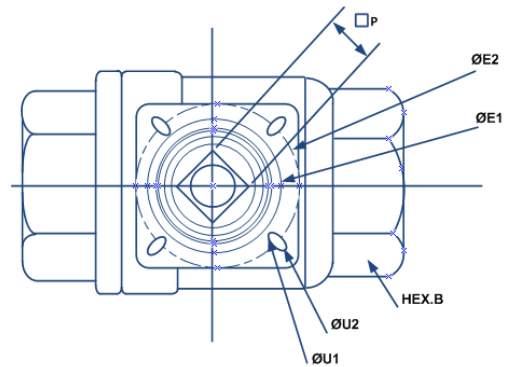
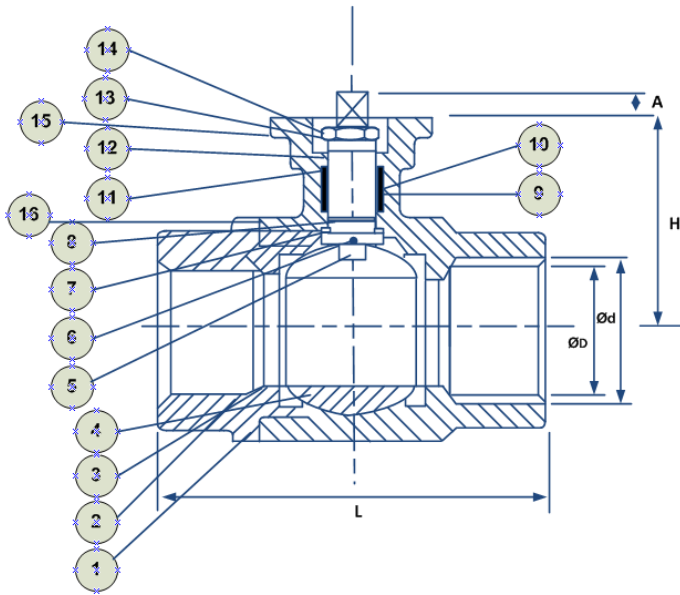




Dimensions										
Size	Ød	L	H	H1	W	T	A	P	Torque*	ISO 5211
1/4"	10.6	62	43.1	70	145	29	9	9	4.5nm	F03-F04
3/8"	12.7	62	43.1	70	145	29	9	9	4.5nm	F03-F04
1/2"	15	75	43.1	70	145	34.5	9	9	5nm	F03-F04
3/4"	20	80	50.7	78	145	37	9	9	6nm	F03-F05
1"	25	90	58	89	175	45	11	11	10nm	F04-F05
1 1/4"	32	110	63	93.5	175	51	11	11	13nm	F04-F07
1 1/2"	38	120	74	106	190	60	14	14	19nm	F05-F07
2"	50	140	83.5	115.5	190	70	14	14	28.5nm	F05-F07
2 1/2"	63.5	185	102.3	150.5	265	92.5	17	17	45nm	F07-F10
3"	76	205	110.7	160	300	102.5	17	17	72nm	F07-F10

Options available

- 100mm high Spindle Extension for Insulation & Steam Actuation
- Direct Mount Spring Handle/Lever
- Direct Mount Spring Handle/Lever
- Upstream Ball and Cavity Relief hole drilled into Stainless Steel Ball
- Upstream Ball and Cavity Relief hole drilled into Ball



Material List

Item	Description	Material
1	Body	CF8M CF8 WCB
2	End Cap	CF8M CF8 WCB
3	Ball Seat	TFM 4215
5	Stem	SUS 316 SUS 304
6	Anti-static Device	SUS 316 SUS 304
7	Thrush Washer	PTFE
8	O-Ring	FKM
9	Stem Packing	PTFE / Grafoil
10	Bushing	50%SS + 50%PTFE SUS 304
11	Gland	SUS 316
12	Belleville Washer	SUS 301
13	Stem Nut	A194-8
14	Stop-Lock-Cap	SUS 304
15	Hex Bolting	A193-B8
16	Body Gasket	PTFE / Grafoil