

## STAINLESS STEEL

## GLOBE VALVE FLANGED

A flanged globe valve offering the following key features:

- **Stainless steel body**
- **Handwheel operated with rising stem**
- **End connections to fit PN16 or ANSI 150**
- **Available in sizes: 1/2" to 4"**
- **Working temperature range: -20°C to 180°C**



## DETAILS

This stainless steel globe valve is suitable for use with moderately aggressive and corrosive liquids; ideally suited for isolation duty and media including air, gas, oil and water.

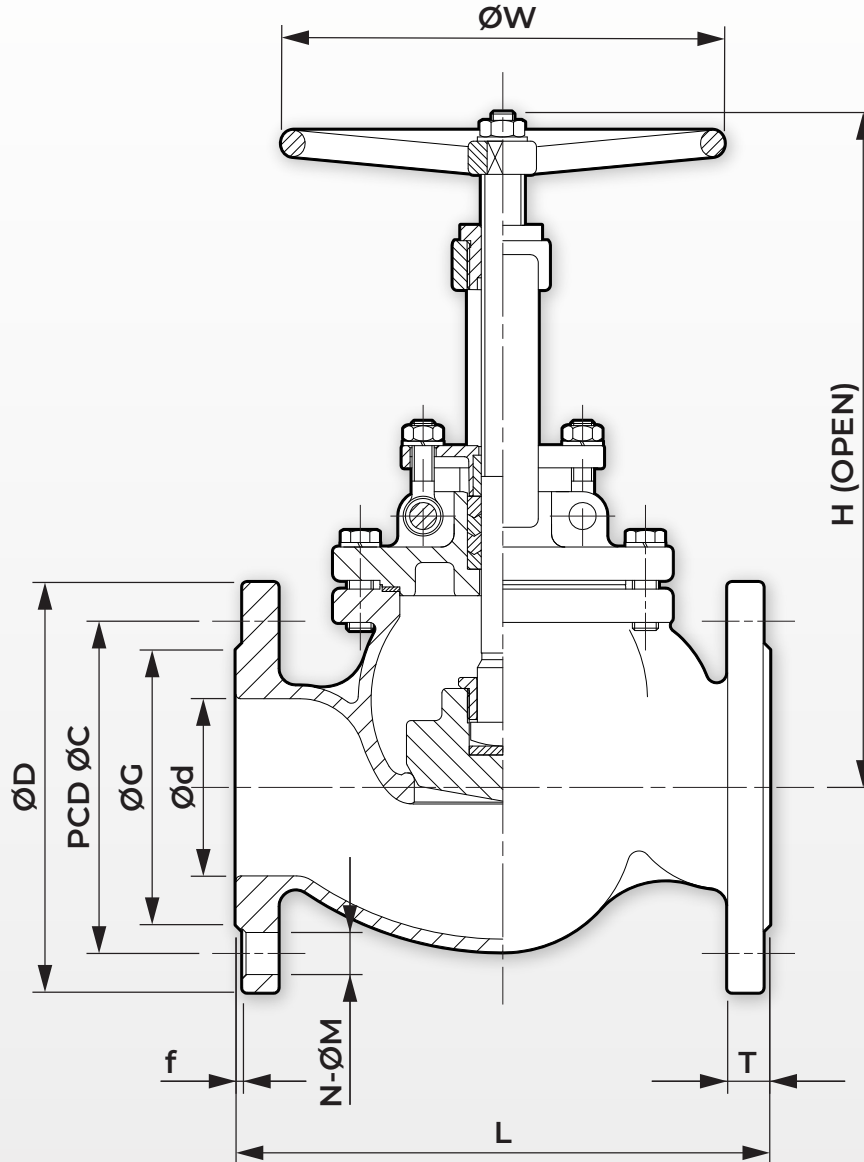
A handwheel operated, flanged globe valve with a stainless steel body, bonnet, and rising stem.

Provides a leak tight shut-off with the capability of being used partially open to regulate flow.

Available in sizes: 1/2" to 4" with PN16 or ANSI 150 flanged end connections.

With a working temperature range of -20°C to 180°C and pressure rated PN16 or Class 150.

A maintenance free valve.

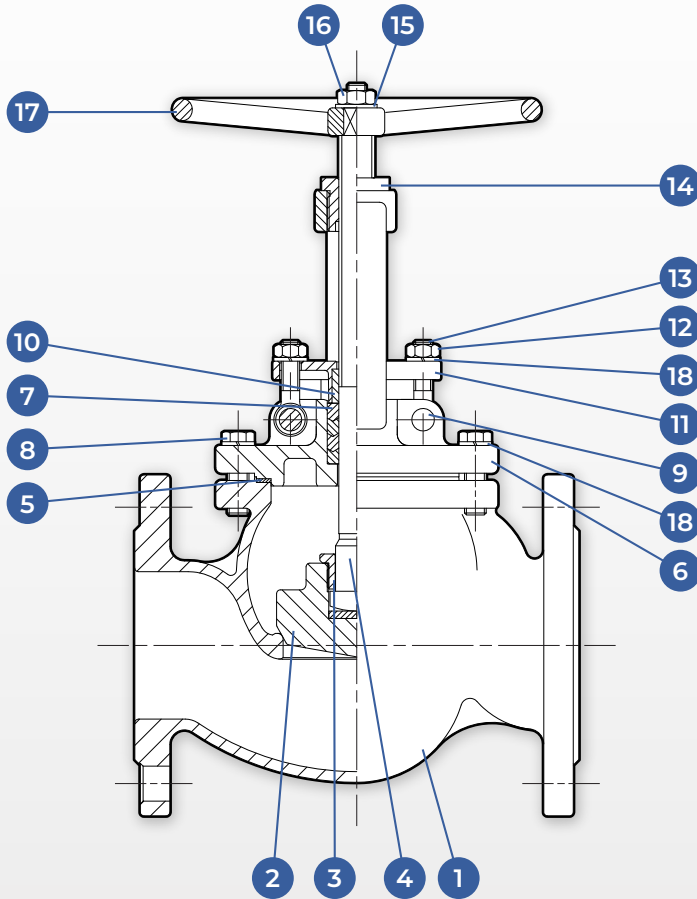


**TABLE 1: DIMENSIONS IN MM  
ANSI 150**

SIZE	d	G	C	D	L	H	W	T	f	N x ØM	WEIGHT
DN15	15	35	60.5	89	108	186	140	11.1	1.6	4 x 16	3.2 kg
DN20	20	43	70.0	98	117	212	140	11.1	1.6	4 x 16	3.7 kg
DN25	25	51	79.5	108	127	212	140	11.1	1.6	4 x 16	4.4 kg
DN40	40	73	98.5	127	165	246	160	14.3	1.6	4 x 16	7.4 kg
DN50	50	92	120.5	152	203	252	200	15.9	1.6	4 x 19	10.6 kg
DN80	80	127	152.5	190	241	327	250	19.1	1.6	4 x 19	20.8 kg
DN100	100	157	190.5	229	292	384	250	23.9	1.6	8 x 19	31.0 kg

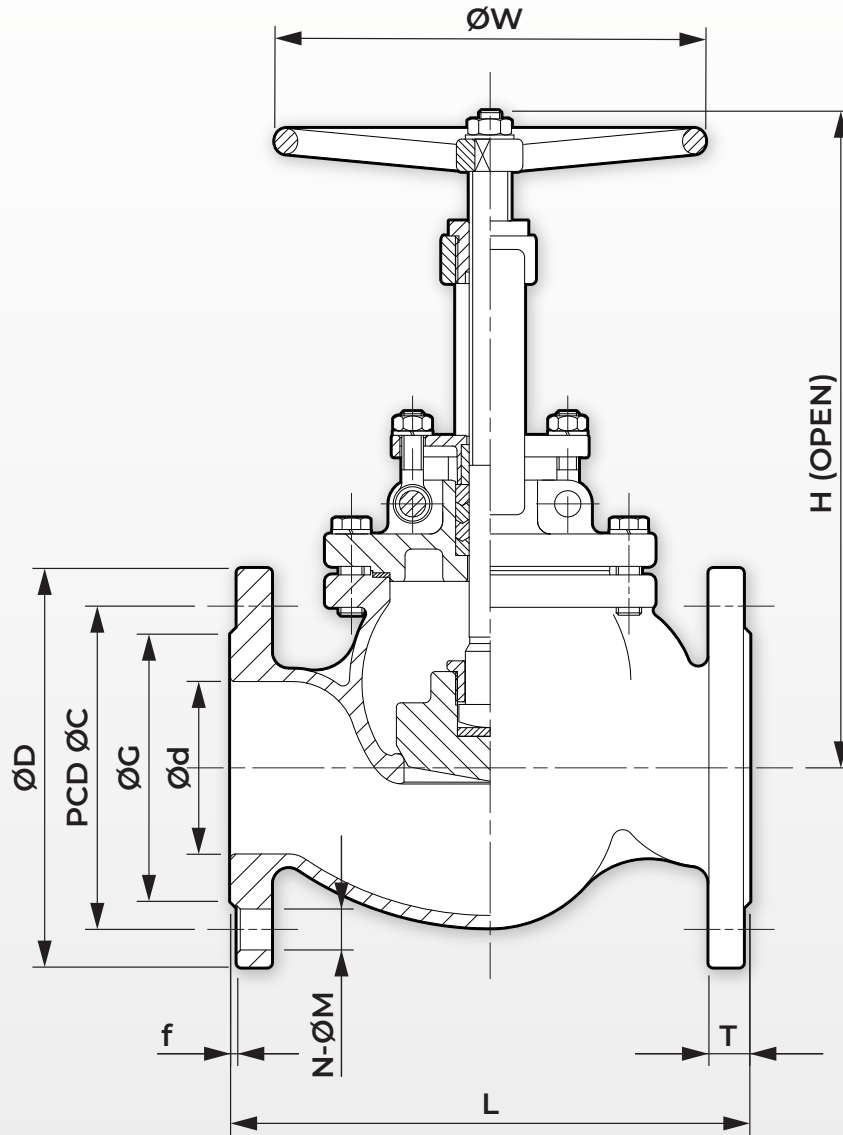
## STAINLESS STEEL

## GLOBE VALVE FLANGED



**TABLE 2: MATERIALS**  
**ANSI 150**

ITEM	PART	MATERIAL
1	BODY	ASTM A351-CF8M
2	DISC	ASTM A351-CF8M
3	DISC COVER	ASTM A351-CF8M
4	STEM	SUS 316
5	GASKET	PTFE / 304+GRAPHITE
6	BONNET	ASTM A351-CF8M
7	PACKING	PTFE
8	BOLT	SUS 304
9	HINGE PIN	SUS 304
10	SLEEVE	PTFE
11	GLAND	ASTM A351-CF8
12	NUT	SUS 304
13	EYE BOLT	SUS 304
14	YOKE SLEEVE	BRONZE
15	NAME PLATE	SUS 304
16	NUT	SUS 304
17	HANDWHEEL	FCD 400
18	SPRING WASHER	SUS 304



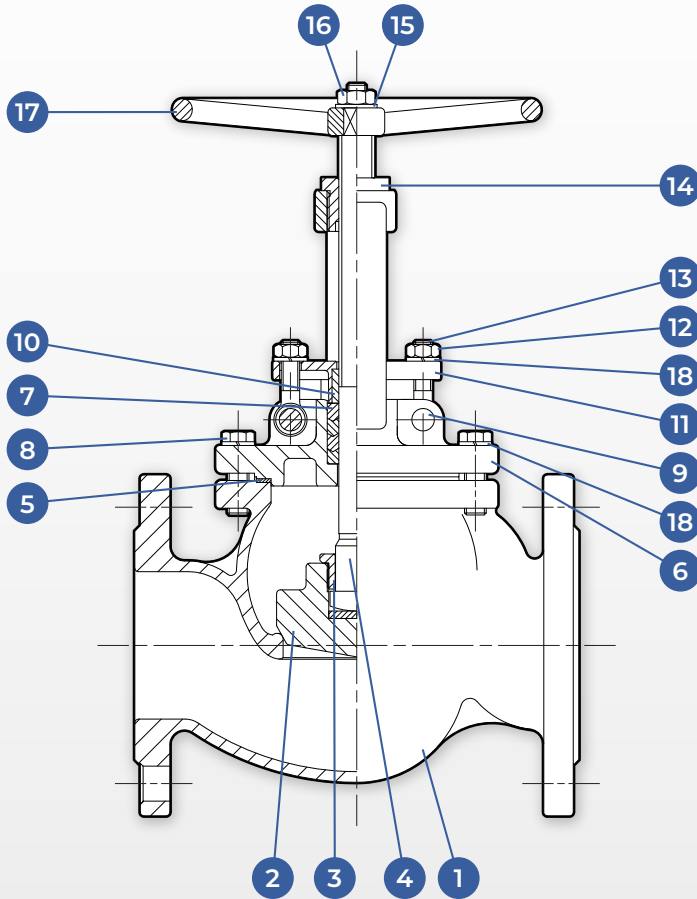
**TABLE 3: DIMENSIONS IN MM**

**PN16**

SIZE	d	G	C	D	L	H	W	T	f	N x ØM	WEIGHT
DN15	15	45	65	95	130	186	140	14	2	4 x 14	3.2 kg
DN20	20	58	75	105	150	186	140	16	2	4 x 14	3.7 kg
DN25	25	68	85	115	160	212	140	16	2	4 x 14	4.4 kg
DN40	40	88	110	150	200	246	160	16	3	4 x 18	7.4 kg
DN50	50	102	125	165	230	252	200	18	3	4 x 18	10.6 kg
DN65	65	122	145	185	290	308	200	18	3	4 x 18	15.2 kg
DN80	80	138	160	200	310	327	250	20	3	8 x 18	20.8 kg
DN100	100	158	180	220	350	384	250	20	3	8 x 18	31.0 kg

## STAINLESS STEEL

## GLOBE VALVE FLANGED



**TABLE 4: MATERIALS**  
**PN16**

ITEM	PART	MATERIAL
1	BODY	1.4408
2	DISC	1.4408
3	DISC COVER	1.4408
4	STEM	SUS 316
5	GASKET	PTFE / 304+GRAPHITE
6	BONNET	1.4408
7	GLAND PACKING	PTFE
8	BONNET BOLT	SUS 304
9	HINGE PIN	SUS 304
10	STEM BUSHING	PTFE
11	GLAND	1.4308
12	NUT	SUS 304
13	EYE BOLT	SUS 304
14	YOKE SLEEVE	BRONZE
15	NAME	PLATE SUS 304
16	NUT	SUS 304
17	HANDWHEEL	FCD 400
18	SPRING WASHER	SUS 304

TABLE 5: PART NUMBERS

Size	PN16	ANSI 150
1/2"	GV4656-108400	GV4656-108410
3/4"	GV4656-108401	GV4656-108411
1"	GV4656-108402	GV4656-108412
1-1/2"	GV4656-108404	GV4656-108413
2"	GV4656-108405	GV4656-108414
2-1/2"	GV4656-108406	N/A
3"	GV4656-108407	GV4656-108416
4"	GV4656-108408	GV4656-108417