



Stainless Steel High Pressure Spring Check Valve

- All Stainless with Metal Seat
- Temperature -25°C to + 250°C
- High Performance, Quiet Operation
- BSP Screwed End Connections
- High Flow Rates
- Pressure Rated 69 Bar (1000 PSI)

> Description

Screwed "Barrel Type" Spring Check Valve.
 ASTM A351 CF8M 316 Stainless Steel construction with Chemically Polished finish.
 2-Pce screw together body construction.
 PPL Body Seal, Metal Seat. 69 bar pressure rated.
 - 25°C to +260°C Temp rated. BSP Screwed end connections. CE marked in accordance with PED 97/23/EC (from 1 1/4")
 The valve offers substantial advantages over other spring check valves that are available, especially where elevated temperatures are involved such as steam and thermal fluid applications.
 The 2-pce body construction allows the valve to be maintained.
 We are able to offer full material certification to EN 10204 3.1.

> Typical Applications

Temperature critical media.
 Where spring assistance is required.
 Semi corrosive solid free liquids.

Description

Reliable and robust stainless steel barrel spring check valve. Screwed BSP. This heavy duty check valve can allow pressures of up to 69 Bar and temperatures of 260°C. All stainless steel construction offered in sizes from ½" - 2"

Beschreibung

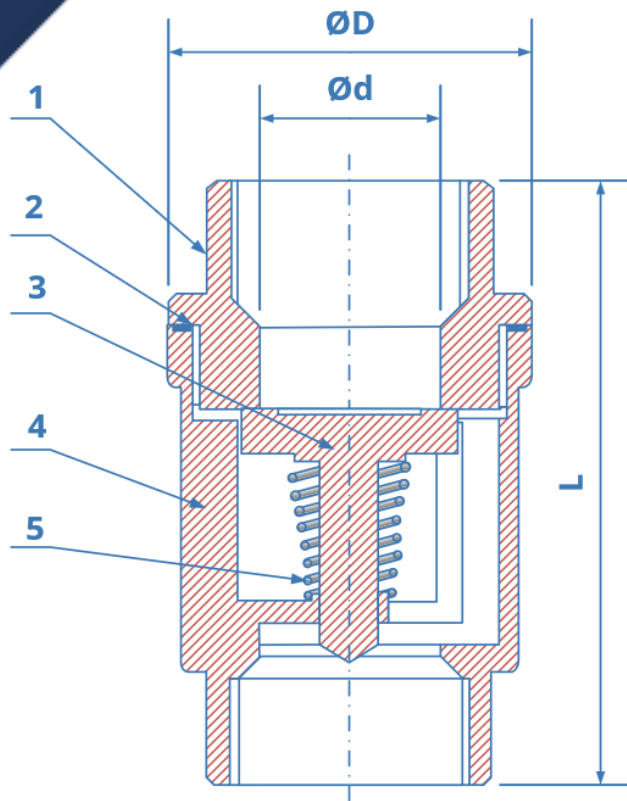
Zuverlässiges und robustes Edelstahl-Tonnenfeder-Rückschlagventil. BSP verschraubt. Dieses Hochleistungs-Rückschlagventil kann Drücke von bis zu 69 Bar und Temperaturen von 260 °C zulassen. Alle Edelstahlkonstruktionen werden in Größen von ½" - 2" angeboten

Descripción

Válvula de retención de resorte de cilindro de acero inoxidable confiable y robusta. BSP atornillado. Esta válvula de retención de servicio pesado puede admitir presiones de hasta 69 Bar y temperaturas de 260°C. Toda la construcción de acero inoxidable se ofrece en tamaños de ½" - 2"

Description

Clapet anti-retour à ressort en acier inoxydable fiable et robuste. BSP vissé. Ce clapet anti-retour robuste peut supporter des pressions allant jusqu'à 69 bars et des températures de 260°C. Construction entièrement en acier inoxydable offerte dans des tailles de ½" à 2"



Technical Data

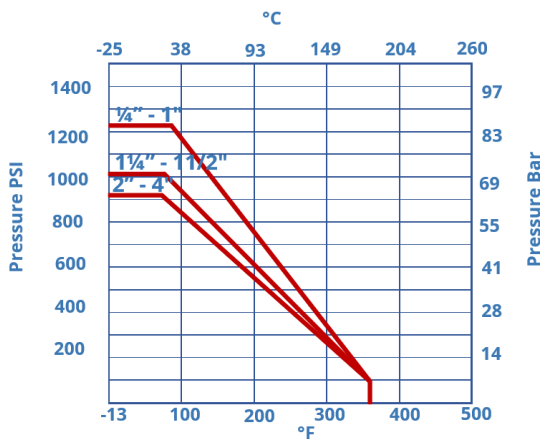
1. Design and Inspection Code: EN12516-½, EN12266-1.
2. Main Material: according to PED97/23/EC Annex1, Par4.3 and 3.1B certs.
3. Design Pressure: 1000 PSI (PN63)
4. Working Temperature -25C to +180C.
5. Fluid: Water, Gas, Oil.
6. Thread Ends: ANSI B2.1, BS21, DIN259/2999.
7. Pressure Test: EN12266-1, API598.
8. CE Marking on DN32 - DN100 only.

Material

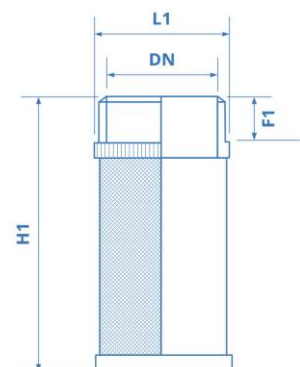
Item	Part	Material	QTY.
1	Cap	CF8M	1
2	Body Gasket	PPL	1
3	Disc	CF8M	1
4	Body Gasket	CF8M	1
5	Spring	SS316	1

Dimensions

DN	Size	d	D	L	Kg
DN15	1/2"	15	37	56	0.21
DN20	3/4"	20	42	63	0.29
DN25	1"	25	48	74	0.4
DN32	1 1/4"	30	58	81	0.65
DN40	1 1/2"	38	70	91	0.98
DN50	2"	47	82	97	1.4



Stainless Steel filter can be supplied to screw into the check valve making it into a foot valve.



Dimensions

Size (DN)	1/4	3/8	1/2	3/4	1	1 1/4	1 1/2	2
L1	26	26	32	41	48	55	68	86
H1	50	50	50	57	57	68	78	95
F1	8	8	8	9	9	11	11	12

All information is sourced from our manufacturer's data and is intended for guidance only - Valves Online can accept no liability for changes, omissions or errors.

