

DELRIN 0.5-10 BAR SERVO ASSISTED

SOLENOID VALVE

- **Key features:**
- **Servo-assisted**
- **Normally closed, 2-way operation**
- **Delrin body**
- **FKM or EPDM seals**
- **Screwed BSP connections**
- **Sizes available: 3/8" to 1 1/2"**
- **Max. working pressure: 10 bar**
- **Pressure rating, ΔP : 0.5 to 10 bar**
- **Operating voltages: 12V DC, 24V DC, 24V AC, 110V AC, and 230V AC**
- **Supplied with a cable plug**



DETAILS

A servo-assisted solenoid valve offering normally closed, 2-way operation.

The valve features a Delrin body, stainless steel tube and internal parts, and FKM or EPDM seals.

Available in sizes 3/8", 1/2", 3/4", 1", 1 1/4", and 1 1/2" with BSP screwed end connections.

Designed for use with neutral gases and slightly corrosive and mildly aggressive fluids.

The valve should be mounted with the coil upright.

The valve has a maximum working pressure 10 bar, a pressure rating, ΔP (differential pressure) of 0.5 to 10 bar.

Working media temperature range of +5°C to +80°C. Ambient temperature range of +5°C to +60°C.

Suitable operating voltages are 12V DC, 24V DC, 24V AC, 110V AC, and 230V AC, and supplied fitted with a cable plug.

DELRIN 0.5-10 BAR SERVO ASSISTED

SOLENOID VALVE

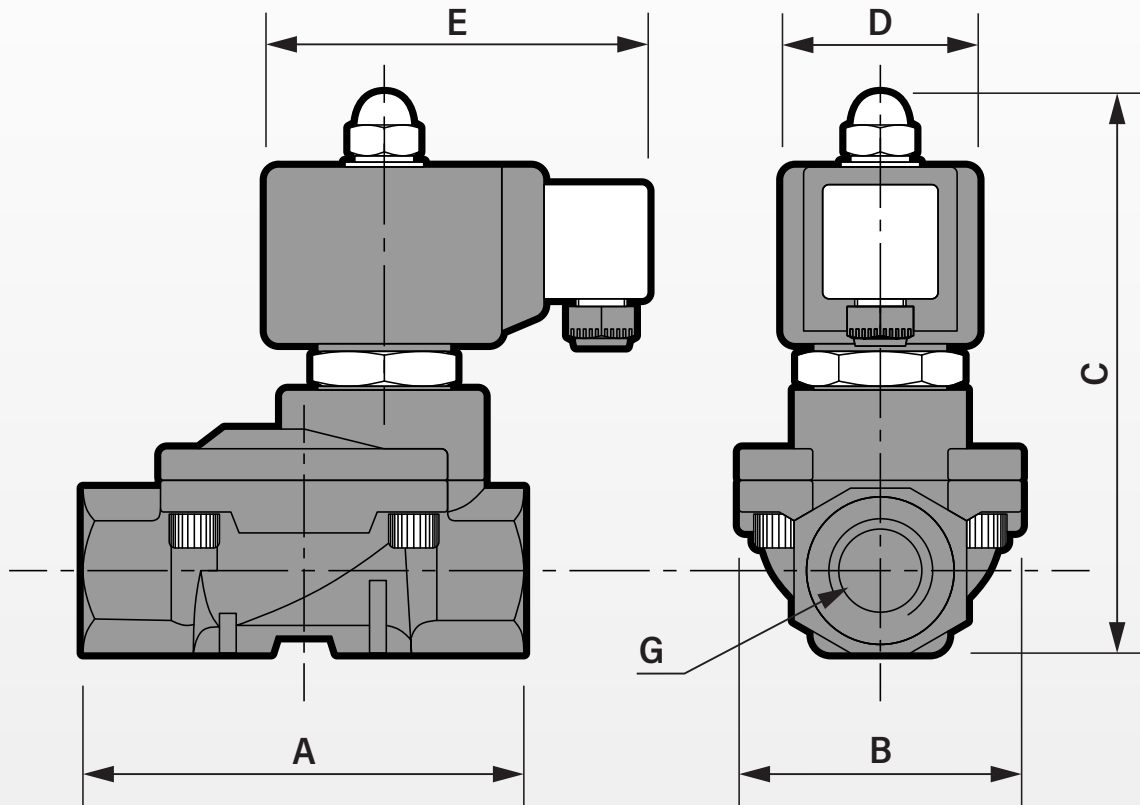


TABLE 1: DIMENSIONS IN MM

Size	A	B	C	D	E	Ø Port, BSP	Ø Orifice	Weight
3/8"	73.5	48	105	35	55	3/8"	15	0.32 kg
1/2"	73.5	48	105	35	55	1/2"	15	0.32 kg
3/4"	104.0	90	124	35	55	3/4"	20	0.65 kg
1"	104.0	90	124	35	55	1"	25	0.60 kg
1 1/4"	132.0	120	145	35	55	1 1/4"	35	0.85 kg
1 1/2"	132.0	120	145	35	55	1 1/2"	35	0.80 kg

DELRIN 0.5-10 BAR SERVO ASSISTED

SOLENOID VALVE

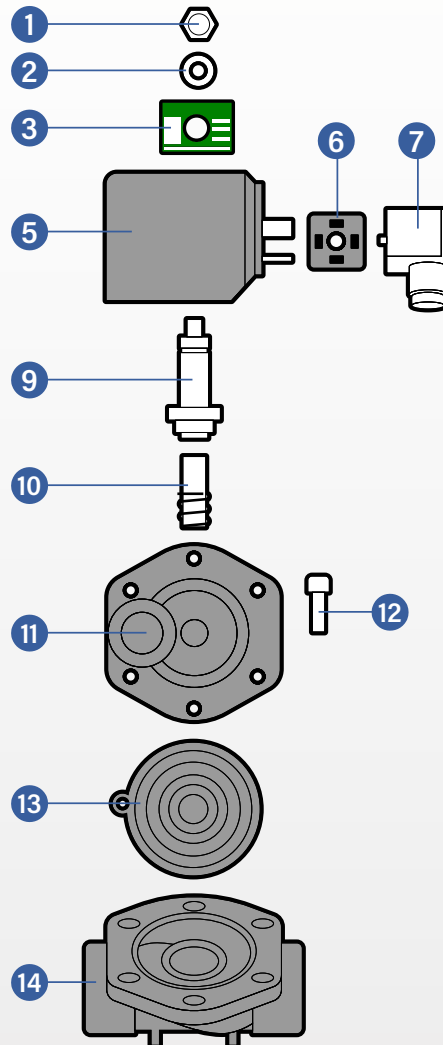


TABLE 2: PARTS

Item	Part
1	Nut
2	Washer
3	Name plate
5	Coil
6	Gasket
7	Connector
9	Core tube
10	Armature
11	Valve bonnet
12	Bolts
13	Diaphragm
14	Valve body

DELTRIN 0.5-10 BAR SERVO ASSISTED

SOLENOID VALVE

TABLE 3: FLOW (KV) IN L/MIN

Size	Flow (Kv)
3/8"	64.4
1/2"	64.4
3/4"	133.0
1"	188.8
1 1/4"	371.8
1 1/2"	371.8

TABLE 4: ELECTRICAL DATA

Voltage (-10% + 10%) Continuous Duty 100%	Coil	Power Consumption		Insulation Class	Enclosure	Electrical Connections
		Inrush	Holding			
24V AC (50/60 Hz) 110V AC (50/60 Hz) 230V AC (50/60 Hz)	WPG1	11.2VA	8.2VA	H 180°C	IP65 with connector	3 spades DN 43650 DIN 40050 VDE 0110
12V DC 24V DC	WPG1	12 Watts	12 Watts	H 180°C	IP65 with connector	3 spades DN 43650 DIN 40050 VDE 0110

TABLE 5: PART NUMBERS

SEAL MATERIAL: FKM

Size	12V DC	24V DC	24V AC	110V AC	230V AC
3/8"	SV5634-100670	SV5634-100676	SV5634-100682	SV5634-100688	SV5634-100694
1/2"	SV5634-100671	SV5634-100677	SV5634-100683	SV5634-100689	SV5634-100695
3/4"	SV5634-100672	SV5634-100678	SV5634-100684	SV5634-100690	SV5634-100696
1"	SV5634-100673	SV5634-100679	SV5634-100685	SV5634-100691	SV5634-100697
1 1/4"	SV5634-100674	SV5634-100680	SV5634-100686	SV5634-100692	SV5634-100698
1 1/2"	SV5634-100675	SV5634-100681	SV5634-100687	SV5634-100693	SV5634-100699

TABLE 6: PART NUMBERS

SEAL MATERIAL: EPDM

Size	12V DC	24V DC	24V AC	110V AC	230V AC
3/8"	SV5634-100700	SV5634-100706	SV5634-100712	SV5634-100718	SV5634-100724
1/2"	SV5634-100701	SV5634-100707	SV5634-100713	SV5634-100719	SV5634-100725
3/4"	SV5634-100702	SV5634-100708	SV5634-100714	SV5634-100720	SV5634-100726
1"	SV5634-100703	SV5634-100709	SV5634-100715	SV5634-100721	SV5634-100727
1 1/4"	SV5634-100704	SV5634-100710	SV5634-100716	SV5634-100722	SV5634-100728
1 1/2"	SV5634-100705	SV5634-100711	SV5634-100717	SV5634-100723	SV5634-100729