

Economy Mechanical Limit Switchbox

- Switches in Open and Closed Position
- IP67 Protection
- M20 Cable Entry
- Optical Indication
- Various Voltages

Description

A reliable low cost switching option designed for use on manual and pneumatic actuated ball and butterfly valves. The 2 x V3 gold plated SPDT switches are housed in an aluminium powder coated housing and offer repeatable switching, giving open and closed functions. In addition a high visibility optical beacon gives indication of open or closed positions of the valve. Brackets are supplied for both manual and actuated applications.



Description

Type VO210 Limit Switchbox offers outstanding value for money, whilst maintaining both quality and repeatability. This unit offers both optical position indication via a dome top beacon and 2 V3 SPDT switches housed in a IP67 aluminium coated enclosure.



Beschreibung

Die Endschalterbox vom Typ VO210 bietet ein hervorragendes Preis-Leistungs-Verhältnis bei gleichzeitiger Beibehaltung von Qualität und Wiederholbarkeit. Dieses Gerät bietet sowohl eine optische Positionsanzeige über eine Rundumkennleuchte als auch 2 V3-SPDT-Schalter in einem aluminiumbeschichteten IP67-Gehäuse.



Descripción

La caja de interruptores de límite Tipo VO210 ofrece una excelente relación calidad-precio, manteniendo la calidad y la repetibilidad. Esta unidad ofrece indicación de posición óptica a través de una baliza superior de domo y 2 interruptores SPDT V3 alojados en una carcasa con revestimiento de aluminio IP67.



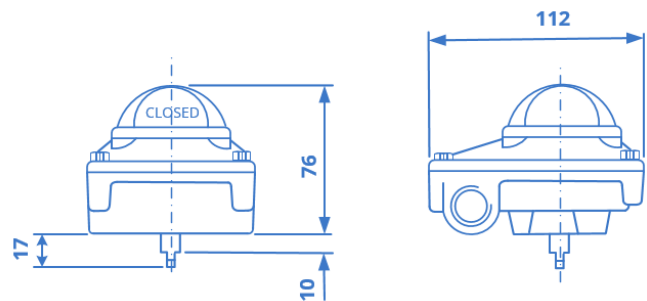
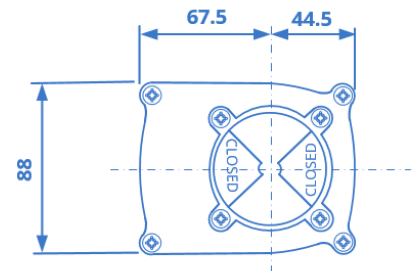
Description

Le Switchbox Limit Type VO210 offre un excellent rapport qualité / prix, tout en conservant à la fois la qualité et la répétabilité. Cette unité offre à la fois une indication de position optique via une balise supérieure en dôme et 2 commutateurs SPDT V3 logés dans un boîtier revêtu d'aluminium IP67.

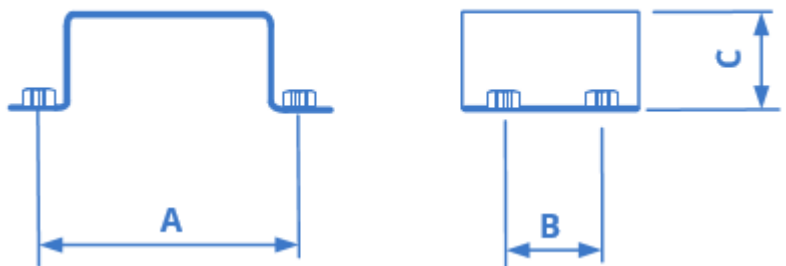
VO210

- IP67 Enclosure
- Beacon indicator
- Stainless steel shaft and mounting bracket
- 2 x SPDT V3 micro switches
- 2 x M20 cable entries
- Simple spring loaded switch adjustment

The VO210 limit switch, features high quality and easy to use multiple option switch boxes for manual valves and rotary actuators. Die cast aluminium housings are powder coated for corrosion resistance and feature red/Yellow visual indicators. Quick-set cams and easy access terminal strips offer easy set up. Ambient temperature range -20°C to 80°C



Mounting Bracket



Bracket Details				
Bracket	A	B	C	Application
VO210-100	80	30	30	80 x 30 x20
VO210-200	80	30	40	80 x 30 x30
VO210-300	130	30	40	130 x 30 x30
VO210-400	130	30	60	130 x 30 x30

Description

A powder coated aluminum switchbox to IP67 fitted with 2 x SPDT switches for identification of fully open and fully closed positions. Solid and compact design with high visibility beacon indicator. Captive cover bolts are safely retained during installation and maintenance. The spring loaded splined cams are easily adjustable with no tools required. Dual cable entries are provided. The switchbox is mounted to the actuator Using a Namur stainless steel mounting Bracket.

Standard Specification:

Enclosure Material : Die Cast Aluminium

Enclosure Rating : IP67

Enclosure Finish : Polyester Powder Coating (Black)

Shaft Material : Stainless Steel

Cable Entries : 2 x M20 (Options PG13.5 & ½" NPT)

Limit Switch Type : 2 x SPDT, Mechanical

Voltage / Amps : 250 V AC, 125 V AC, 250 VDC/ 0.3A, 125 VDC/0.6A, 30 VDC/10A

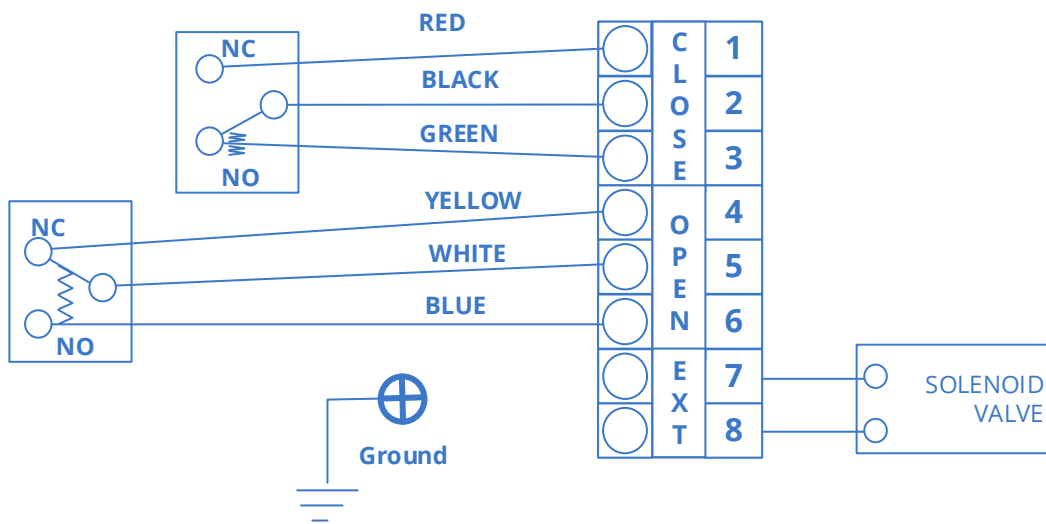
Ambient Temperature : -20°C to 80°C

4.3.4 Wiring

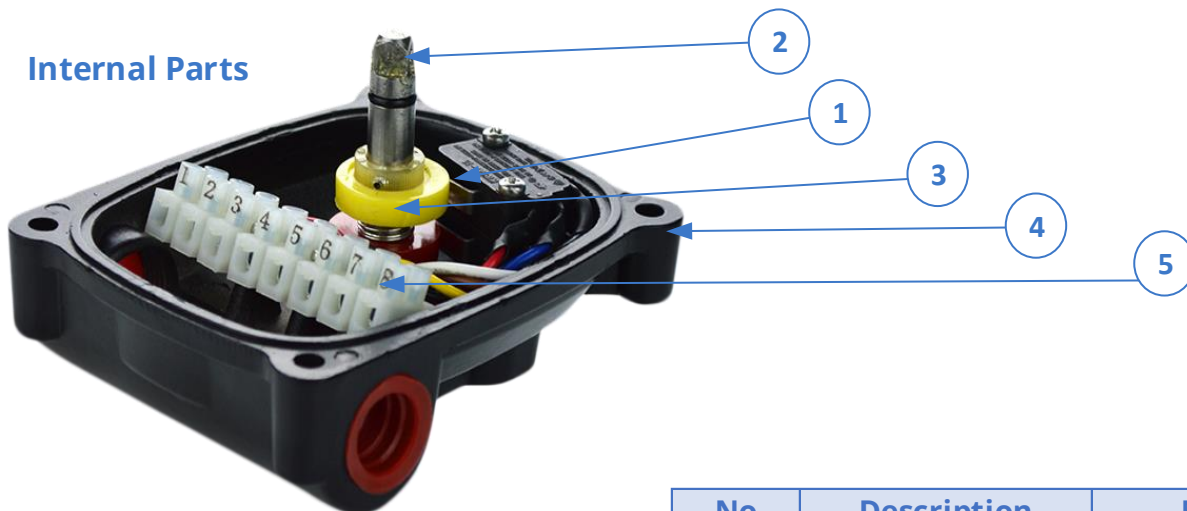
The correct wiring diagram is attached onto the inside of the top casing cover. Please follow the instructions carefully. If in doubt – please contact VOL.

Operate the actuator from full open to full closed in both directions several times to check that the switch cams are operating correctly – preferably with a detection of the output signal from the limit switches (if possible)

Important: Earth wire cable shall be use in bicolour combination green/yellow



Internal Parts



No	Description	Material
1	Switch	2-SPDT
2	Axle	Stainless Steel
3	Cam	Polycarbonate
4	Body	Aluminium
5	Terminal Strips	Polycarbonate