



## MARS 3 – Way Hygienic Ball Valve Type 36SN with Pneumatic Actuator Clamp and Weld Ends

- 3 Way L and T Port
- No Dead Space in Through Path
- Encapsulated Hygienic Seats
- All Materials Comply with FDA.
- Clamp and OD Weld End Connections
- Double Acting and Spring Return
- Fully Maintainable

### Description

A modular pneumatically actuated 3 way sanitary ball valve. Offered to fulfil a wide variety of diverting hygienic applications. Available in spring return and double acting, with either Plain weld OD or Tri Clamp ends, which exhibit high flow rates by virtue of the true tube full port, offering no dead space in the through path. All actuators are design to the latest ISO/Namur standards and are ATEX approved. End of Stroke adjustment ( $\pm 5^\circ$ ) is fitted as standard.

The ball valves are of 4 piece design, with the option for L or T Port flow path and fitted with encapsulated FDA approved PTFE seats. The valve is suitable for CIP cleaning. In most cases the actuators fit directly onto the valves so no mounting kit is required, thus making the package more compact and cost effective.



### Description

Pneumatically operated ultra pure 3 way (L or T port) ball valve in sizes from  $\frac{1}{2}$ " to 4". Connections are either OD weld or Tri-clamp ends. The actuator comes in either Double Acting or Spring Return. The Valve is full bore and has fully encapsulated PTFE ball seats that are easily replaced for maintenance purposes. Pressures up to 1000 PSI and temperature Range  $-20^\circ\text{C}$  to  $180^\circ\text{C}$ .



### Beschreibung

Pneumatisch betriebener ultrareiner 3-Wege-Kugelhahn (L- oder T-Anschluss) in Größen von  $\frac{1}{2}$ " bis 4". Die Anschlüsse sind entweder OD-Schweiß- oder Tri-Clamp-Enden. Der Antrieb ist entweder doppelwirkend oder federrückstellbar. Das Ventil ist voll gebohrt und verfügt über vollständig gekapselte PTFE-Kugelsitze, die zu Wartungszwecken leicht ausgetauscht werden können. Drücke bis 1000 PSI und Temperaturbereich  $-20^\circ\text{C}$  bis  $180^\circ\text{C}$ .



### Descripción

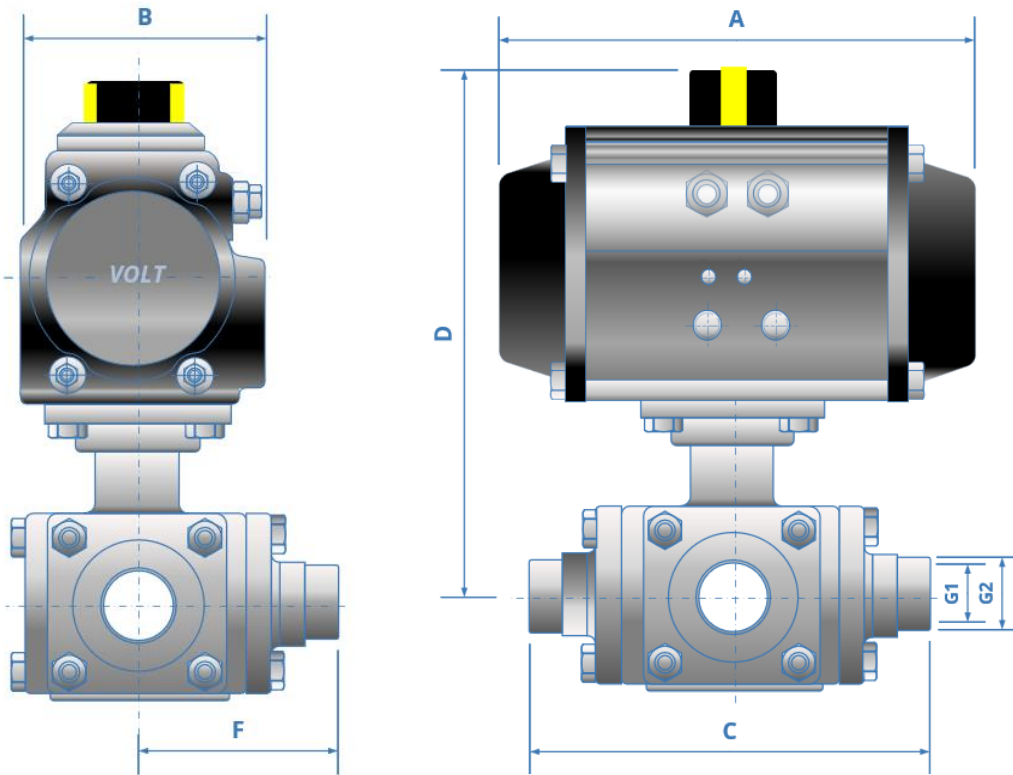
Válvula de bola ultrapura de 3 vías (puerto L o T) operada neumáticamente en tamaños de  $\frac{1}{2}$ " a 4". Las conexiones son soldaduras de diámetro exterior o extremos de triple abrazadera. El actuador viene en doble acción o retorno por resorte. La válvula es de paso total y tiene asientos de bola de PTFE completamente encapsulados que se reemplazan fácilmente para fines de mantenimiento. Presiones de hasta 1000 PSI y rango de temperatura de  $-20^\circ\text{C}$  a  $180^\circ\text{C}$ .



### Description

Vanne à boisseau sphérique ultra pure à 3 voies (orifice L ou T) à commande pneumatique dans des tailles de  $\frac{1}{2}$ " à 4". Les connexions sont soit à soudure OD, soit aux extrémités Tri-clamp. L'actionneur est disponible en double effet ou à ressort de rappel. et a des sièges de boule de PTFE entièrement encapsulés qui sont facilement remplaçables à des fins de maintenance. Pressions jusqu'à 1000 PSI et plage de température  $-20^\circ\text{C}$  à  $180^\circ\text{C}$ .

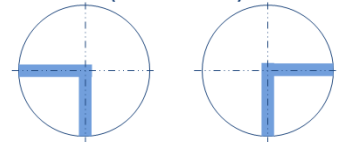
## OD Weld Ends



### OD WELD ENDS SPRING RETURN DIMENSIONS

Valve	Actuator	A	B	C	D	E	F	G1	G2	Weight kg
1/2"	HP75S	210	96	130	254	38.5	60	9.6	12.7	5.02
3/4"	HP75S	210	96	130	254	41	68	15.8	19.05	5.62
1"	HP100S	268	123	160	313	55	80	22.1	25.4	9.51
1 1/2"	HP115S	316	141	182	371	74	91	34.8	38.1	17.34
2"	HP145S	414	172	216	434	93	108	47.5	50.8	33.06
2 1/2"	HP180S	497	206	241.3	492.5	119	120	60.2	63.5	48.66
3"	HP200S	555	227	279.4	556.5	137	140	72.9	76.2	66.34
4"	HP211S	669	236	330.2	616.2	157	165	94.7	101.6	95.4

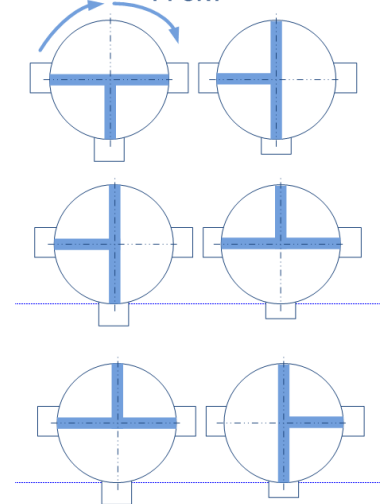
### L PORT (DIVERTING)



### OD WELD ENDS-DOUBLE ACTING DIMENSIONS

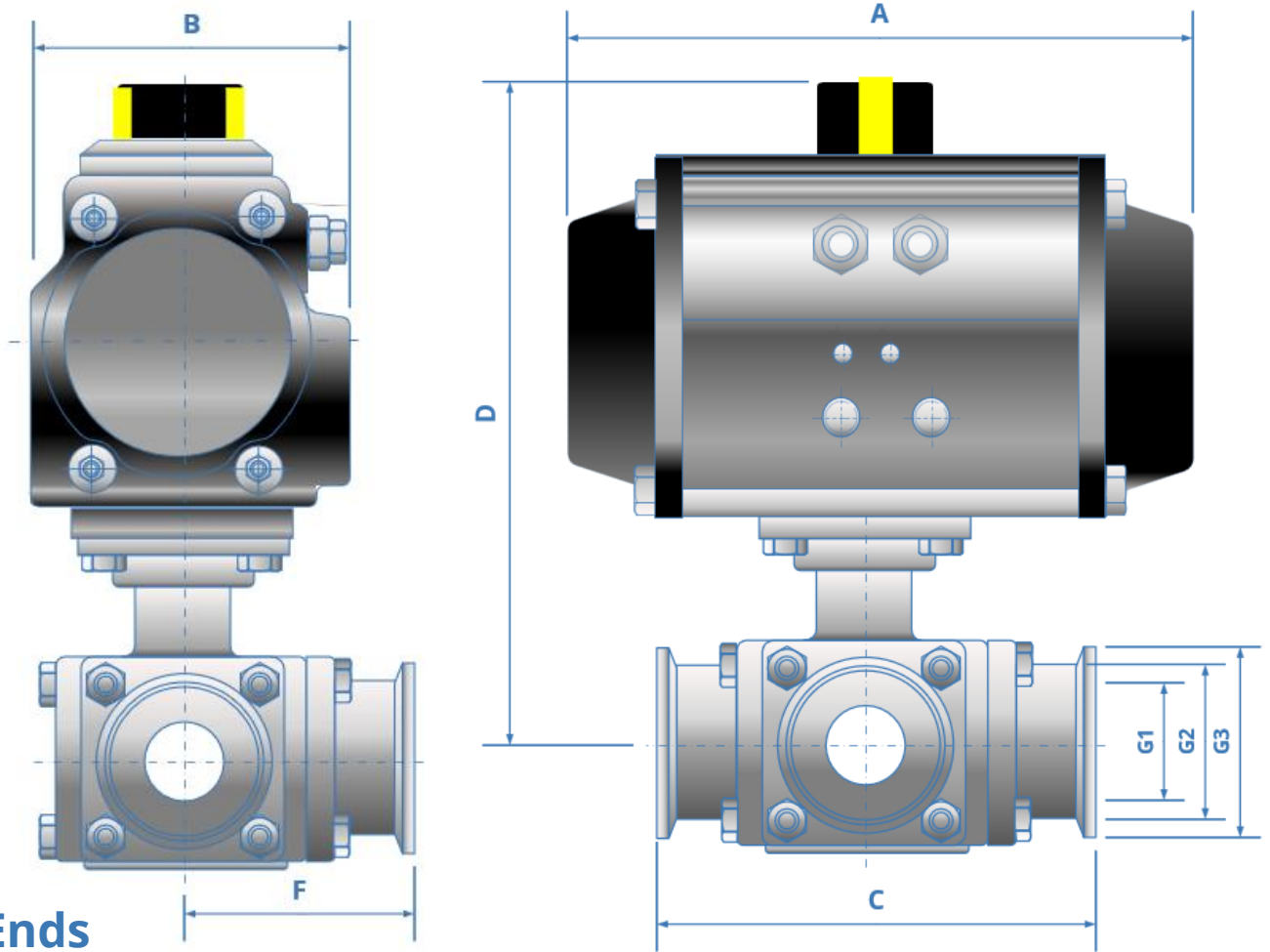
Valve	Actuator	A	B	C	D	E	F	G1	G2	Weight kg
1/2"	HP63D	163	85	130	145.5	38.5	60	9.6	12.7	4.02
3/4"	HP63D	163	85	130	148	41	68	15.8	19.05	4.62
1"	HP75D	210	96	160	179	55	80	22.1	25.4	7.21
1 1/2"	HP88D	247	108	182	210	74	91	34.8	38.1	13.74
2"	HP100D	288	123	216	259	93	108	47.5	50.8	22.16
2 1/2"	HP145D	414	172	241.3	353	119	120	60.2	63.5	40.66
3"	HP145D	414	172	279.4	371	137	140	72.9	76.2	47.34
4"	HP160D	467	190	330.2	458	157	165	94.7	101.6	76.24

### T PORT



All information is sourced from our manufacturer's data and is intended for guidance only - Valves Online can accept no liability for changes, omissions or errors.

# PA4112

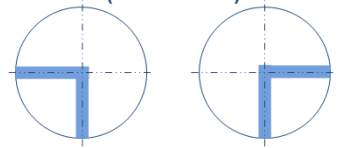


## Clamp Ends

### CLAMP ENDS SPRING RETURN DIMENSIONS

Valve	Actuator	A	B	C	D	E	F	G1	G2	G3	Weight kg
1/2"	HP75S	210	96	120	161.5	124	66.5	9.6	21.7	25	5.02
3/4"	HP75S	210	96	136	166	124	68	15.8	21.7	25	5.62
1"	HP100S	268	123	160	203.5	148	80	22.1	43.5	50.4	9.51
1 1/2"	HP115S	316	141	182	239.5	166	91	34.8	43.5	50.4	17.34
2"	HP145S	414	172	216	301.5	209	108	47.5	56.5	63.9	33.06
2 1/2"	HP180S	497	206	241.3	369	251	120.6	62	60.2	77.4	48.66
3"	HP200S	555	227	279.4	363.5	277	139.7	76	72.9	91	66.34
4"	HP211S	669	236	330.2	442.5	286	165.1	96	97.4	119	95.4

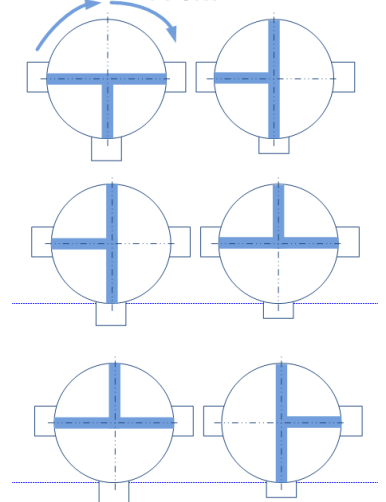
### L PORT (DIVERTING)



### CLAMP ENDS-DOUBLE ACTING DIMENSIONS

Valve	Actuator	A	B	C	D	E	F	G1	G2	G3	Weight kg
1/2"	HP63D	163	85	120	144.5	38.5	60	9.6	12.7	25	4.02
3/4"	HP63D	163	85	136	149	41	68	15.8	19.05	25	4.62
1"	HP75D	210	96	160	179.5	55	80	22.1	25.4	50.4	7.21
1 1/2"	HP88D	247	108	182	210	74	91	34.8	38.1	50.4	13.74
2"	HP100D	288	123	216	240.5	93	108	47.5	50.8	63.9	22.16
2 1/2"	HP145D	414	172	241.3	327	119	120	60.2	63.5	77.4	40.66
3"	HP145D	414	172	279.4	345.5	137	140	72.9	76.2	91	47.34
4"	HP160D	467	190	330.2	384.5	157	165	94.7	101.6	119	76.24

### T PORT



All information is sourced from our manufacturer's data and is intended for guidance only - Valves Online can accept no liability for changes, omissions or errors.

# PA4112

## Technical - Actuator

Body material	Hard anodised extruded aluminium alloy
End Caps	Die cast aluminium epoxy coated
Spring	High tensile steel
Indicator	Open/Closed
Pinion shaft	Alloy steel nickle plated
Pinion Guides	Self Lubricating Polypropylene + GF
Piston seals	NBR steel

## Specification

Pressure range	10 Bar
Double acting	2.5 Bar - 8 Bar
Single acting - Open or Close	2.5 Bar - 8 Bar
Temperture range	minus 20°C - 80°C
Movement	90 Degree adjustable -5-+5 Degree
Lubrication	All moving parts are lubricated
Cycle Life	1,000,000 operations
Approvals	ATEX, CE, PED



Switch box and Solenoids fitted to complete the perfect valve

## Valves Technical and Parts List

Part Name	Material
Body	CF8M
End Cap	CF8M
Ball	SUS316
Stem	SUS316
Stem Nut	SUS304
Thrust Washer	SUS304
Handle	SUS304
Seat	Cavity Filled PTFE
Gland Ring	SUS304
Stem Packing	PTFE
Belleville washer	SUS304
Nut	SUS304

## Specification

Pressure range	1/2" to 2" 1000 PSI 2 1/2" - 4" 800 PSI
Size	1/2" to 4"
Temperature range	minus 20° to + 180° (see graph)
Movement	90 deg turn
Cycle life	1,000,000 operations



Sanitary ball valves



Pneumatic sanitary butterfly valves, complete actuated hygienic essentials

All information is sourced from our manufacturer's data and is intended for guidance only - Valves Online can accept no liability for changes, omissions or errors.