



Stainless Steel Swing Check Valve

- PN16 Rated
- -25°C to + 150°C
- Fits between PN16 & ANSI 150 flanges
- Eye bolt supplied to aid installation
- Weight and space saving



Description

Swing Check Valve for mounting in between flanges to BS4504, DIN PN16 & ANSI 150 flanges. CE Marked in accordance with PED 97/23/EC. Suitable for general services, water treatment and other liquids/ gases. Not suitable for media with solid components. This valve has reduced flow characteristics.



Beschreibung

Rückschlagklappe für den Einbau zwischen Flansche nach BS4504, DIN PN16 und ANSI 150 Flanschen . CE gemäß PED 97/23 / EG bezeichnete . Geeignet für allgemeine Dienstleistungen , Wasseraufbereitung und andere Flüssigkeiten / Gasen. Nicht geeignet für Medien mit Feststoffen . Dieses Ventil hat Fließeigenschaften verringert.



Descripción

Columpio válvula de retención para el montaje entre bridas a BS4504 , DIN PN16 y ANSI 150 bridas. Marcado CE de conformidad con el PED 97/23 / CE. Adecuado para servicios generales, el tratamiento del agua y otros líquidos / gases . No es adecuado para los medios de comunicación con componentes sólidos . Esta válvula ha reducido características de flujo ..



Description

Balancerz Clapet pour le montage entre brides à BS4504 , DIN PN16 et ANSI 150 brides . Marquage CE conformément aux PED 97/23 / CE . Convient pour les services généraux, traitement de l'eau et d'autres liquides / gaz . Ne convient pas pour les médias avec des composants solides . Cette vanne a réduit caractéristiques d'écoulement .

Description:

A cost efficient Wafer pattern swing check valve in ASTM A351, CF8M, 316 stainless steel construction. Viton 'O' ring for body and clack seal. Suitable for horizontal flow and upward vertical flow. Designed to fit between the flanges without the need for any gaskets, within the PCD of the flanged bolts.

16 Bar pressure rated

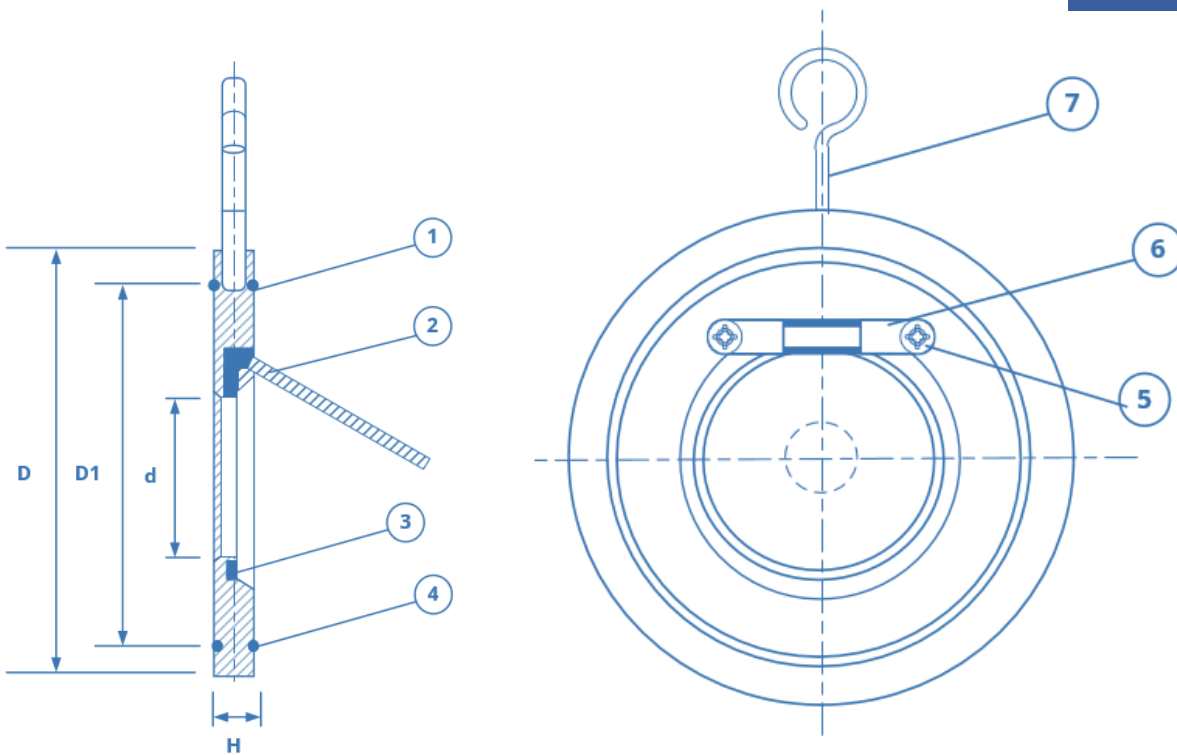
Temperature -25°C to + 150°C

Options:

Carbon Steel – CV5172
Spring Swing Check – CV5173/4
PVC CV4675

[View Product Online](#)

Click
Here



Material List

Item	Description	Material
1	Body	Stainless Steel CF8M SS 316
2	Disk	Stainless Steel CF8M SS 316
3	Disc O Ring	VITON
4	External O Ring	VITON
5	Axis Screw	Stainless Steel CF8M SS 316
6	Stem Stopper	Stainless Steel CF8M SS 316
7	Hook	304 St St

CE marked in accordance with PED 97/23/EC

To fit between BS4504 DIN PN16 and ANSI 150 Flanges

- PN16 Rated
- -25° C to 150° C
- Fits between flanges
- Eye bolt supplied to aid installation
- Weight and space saving

Dimensions

Size	d	D	D1	H	KGS
DN32	20	82	68	12	0.42
DN40	25	92	75	12	0.52
DN50	32	105	84	14	0.79
DN65	40	124	96	14	1.1
DN80	54	136	117.5	14	1.3
DN100	70	164	148	18	2.26
DN125	92	194	166	18	3.1
DN150	114	220	197	20	4.54
DN200	200	275	249	22	7.65
DN250	300	330	310	26	12.63

Other Similar Options

PVC Wafer Check
Swing Spring Check

