



An Unlined flanged PN16, Weir Type diaphragm valve.
Suitable for general industrial applications. Manufactured in ductile iron with an EPDM diaphragm liner. The valve is operated via a handwheel with the addition of a yellow optical indicator for open / closed.

Operating parameters:

Valve bodies design pressure range: PN16 (DN15-50) PN10 (DN65-150) PN6 (DN200) PN5 (250) PN4 (DN300)

Manufacture Design Standards:

Harmonised Standard EN13397 (November 2001), equivalent to MSS-SP-88-1993 (Reaffirmed 2001) QA certified to ISO 9001:2000
According to Pressure Equipment Directive PED 97/23/EC Article 3 - Paragraph 3
Testing standards EN12266-1 (March 2003) and BS6755 part 1 (1986)
Marking according to EN 19 (April 2002)
Face to face dimensions according to EN558-1 Series 1 (DIN 3202F1) or EN558-1 Series 7 (BS5156)
Body end flanges according to EN 1092-1 PN10, BS 4504 T.10 or ANSI 150#

Weir Type Diaphragm Valve, Unlined

- 1" - 6"
- PN16
- EPDM Diaphragm
- Hand Wheel Operation
- Max Temperature 130° C



Description

A Manual flanged PN16 diaphragm valve. Ductile Iron body and bonnet with an EPDM Diaphragm. Handwheel operation. Rated PN16
Temperature – 10°C to 130°C



Beschreibung

A Manuell geflanshtes PN16-Membranventil. Gusskörper und Haube aus duktilem Gusseisen mit einer EPDM-Membran. Handradbetrieb. Bewertete PN16
Temperatur – 10°C bis 130°C



Descripción

Una válvula de diafragma PN16 con bridas manual. Cuerpo de hierro dúctil y bonete con un diafragma de EPDM. Operación de volante. PN16 clasificado
Temperatura – 10°C a 130°C

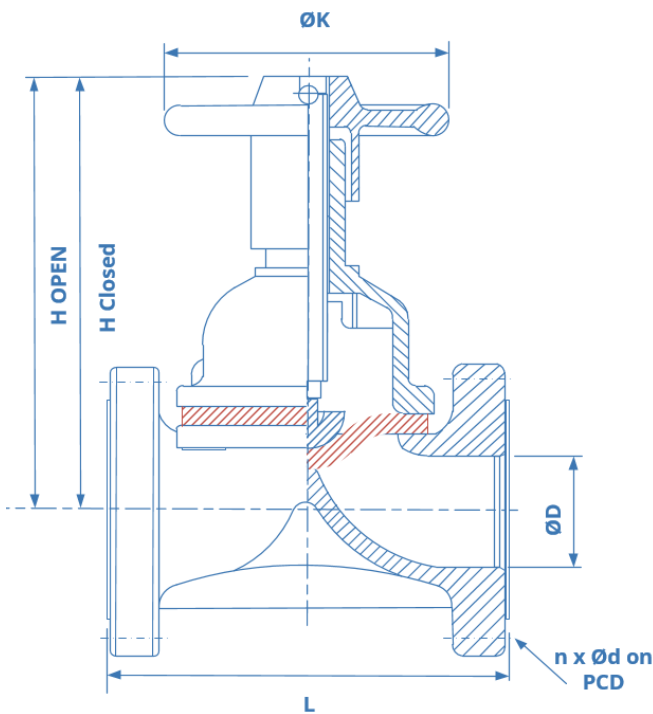


Description

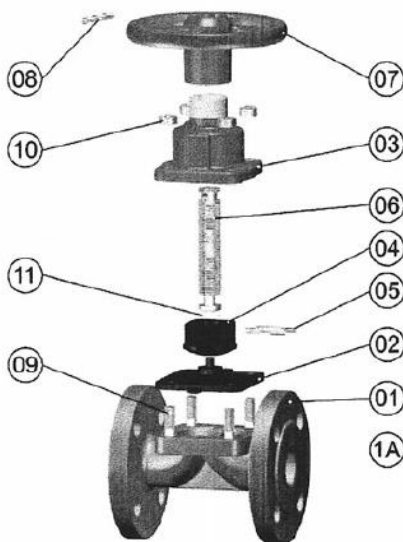
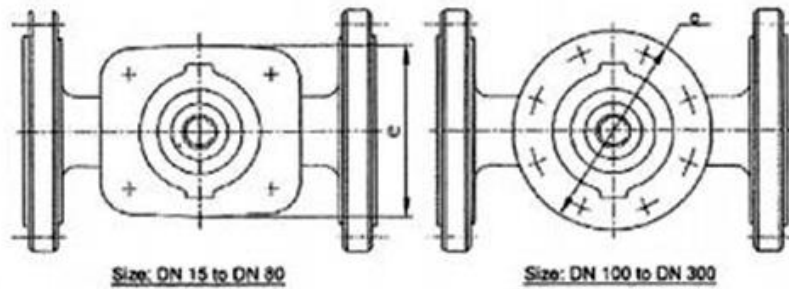
Un robinet à diaphragme PN16 à bride manuelle. Corps et capot en fonte ductile avec un diaphragme en EPDM. Fonctionnement du volant. Classé PN16
Température – 10°C à 130°C

[View Product Online](#)

[Click Here](#)



Dimensions						
DN	L	Kg	H (open)	H1 (closed)	ØK	e
15	108	2.30	109	103	100	52
20	117	3.20	117	109	100	67
25	127	4.20	140	130	120	75
32	146	6.40	143	131	120	88
40	159	7.50	172	152	120	110
50	190	12.0	190	166	164	127
65	216	18	230	195	220	146
80	254	23	242	202	240	188
100	305	34	326	275	270	Ø230
125	356	50	391	326	270	Ø260
150	406	69	468	390	360	Ø320
200	521	150	680	560	460	Ø420
250	635	220	802	657	600	Ø502
300	749	300	971	796	700	Ø469



Standard Materials		
Part	Description	Material
01	Body	Ductile Iron GGG40
1A	Body Lining	Unlined
02	Diaphragm	Natural Rubber
03	Bonnet*	Ductile Iron GGG40
04	Compressor	Cast Iron
05	Compressor Pin	Steel
06	Spindle	Steel
07	Handwheel	Cast Iron
08	Handwheel Pin	Steel
09	Body Studs**	Steel
10	Body Nuts**	Steel
11	Thrust Washer	Nylon

All information is sourced from our manufacturer's data and is intended for guidance only - Valves Online can accept no liability for changes, omissions or errors.